

# SPECIFICATIONS

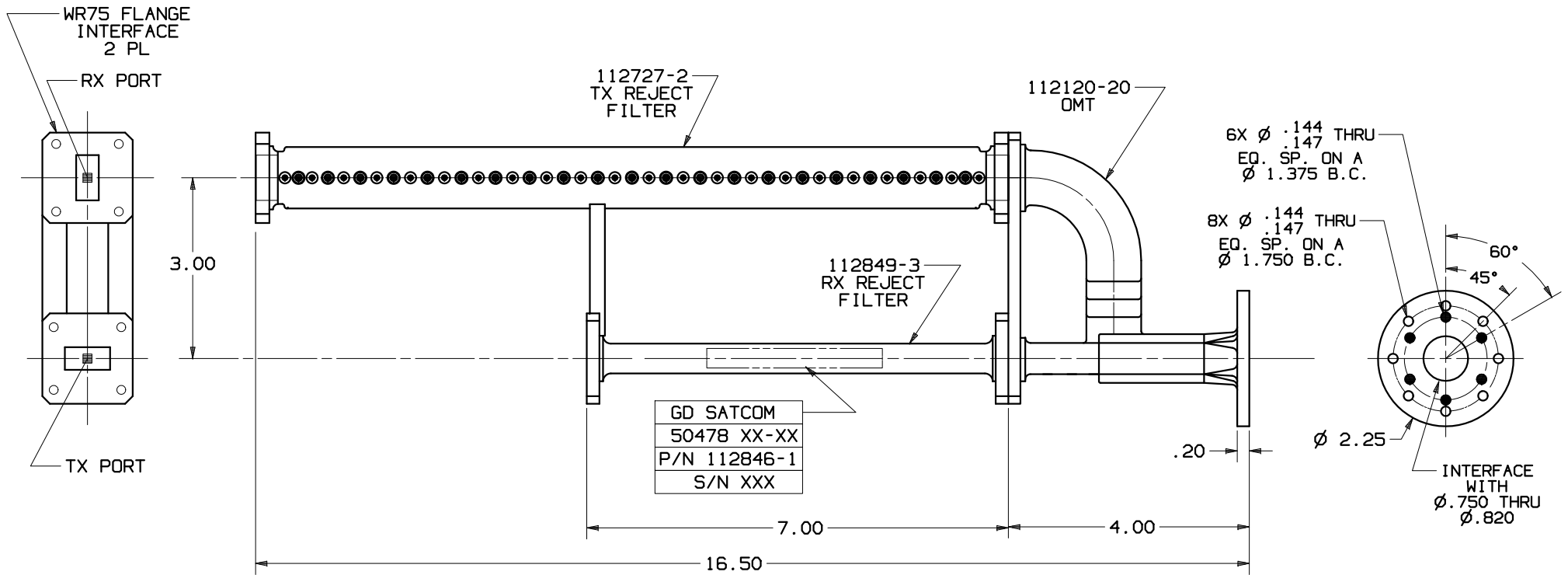
## REVISIONS

<b>FREQUENCY BAND</b>	RX: 10.70 - 12.75 GHz TX: 13.00 - 14.50 GHz
<b>INSERTION LOSS</b>	RX: 0.60 dB MAX TX: 0.60 dB MAX
<b>VSWR</b>	RX: 1.25:1 MAX TX: 1.25:1 MAX
<b>ISOLATION</b>	TX/RX: 85 dB MIN RX/TX: 50 dB MIN
<b>CROSSPOL</b>	: 35 dB MIN

**PRESSURIZATION** : SEALED TO 5.0 PSIG.

**FINISH**  
COMMON PORT,  
RX AND TX PORT: CHROMATE CONVERSION COATED  
EXTERIOR: WHITE PAINT, COLOR No. 17875,  
PER FED-STD-595

REV	DESCRIPTION	DATE	APPROVED
B	SEE ECN#2269	05-04-09	



NOTES: UNLESS OTHERWISE SPECIFIED.

<b>UNLESS OTHERWISE SPECIFIED</b>		<b>SIGNATURES</b>	<b>DATE</b>	GENERAL DYNAMICS PROPRIETARY <b>GENERAL DYNAMICS</b> SATCOM Technologies 3111 Fujita St., Torrance, CA 90505, (310) 539-6704	
DIMENSIONS ARE IN INCHES		DRAWN: L. TOVALIN	11-25-02		
TOLERANCES-		CHECKED:		<b>Ku-BAND</b> <b>2-PORT DIPLEXER</b>	
SURFACE .XX ±.01		ENGRS:			
.XXX ±.002		ENGRS:			
.XXXX ±.0010		ENGRS:		<b>SIZE</b> FSCM No. <b>DWG NO.</b> C 50478 <b>112846-1</b>	
32 ✓ ANGLES ±0°30'		<b>EAR CONTROLLED:</b> Export or re-export subject to 15 CFR 700-799.			
MATERIAL:				<b>SCALE:</b>	
NEXT ASSY:				SHEET 1	