

SPECIFICATIONS

FREQUENCY BAND : SEE BELOW

INSERTION LOSS RX1: 0.50 dB MAX
 RX2: 0.30 dB MAX
 TX : 0.25 dB MAX

VSWR RX: 1.30:1 MAX
 TX: 1.30:1 MAX

ISOLATION TX/RX1: 70 dB MIN.
 TX/RX2: 85 dB MIN.
 RX/TX : 30 dB MIN.
 RX1/RX2: 30 dB MIN.

CROSSPOL : 35 dB MIN.

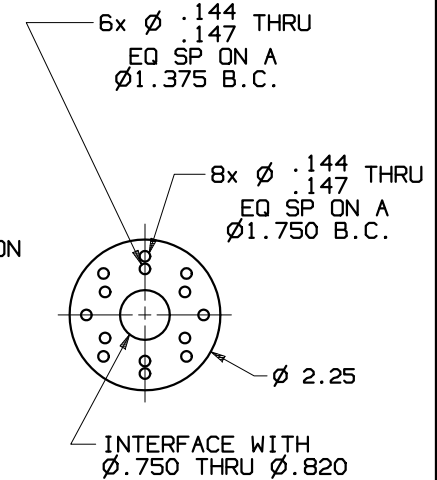
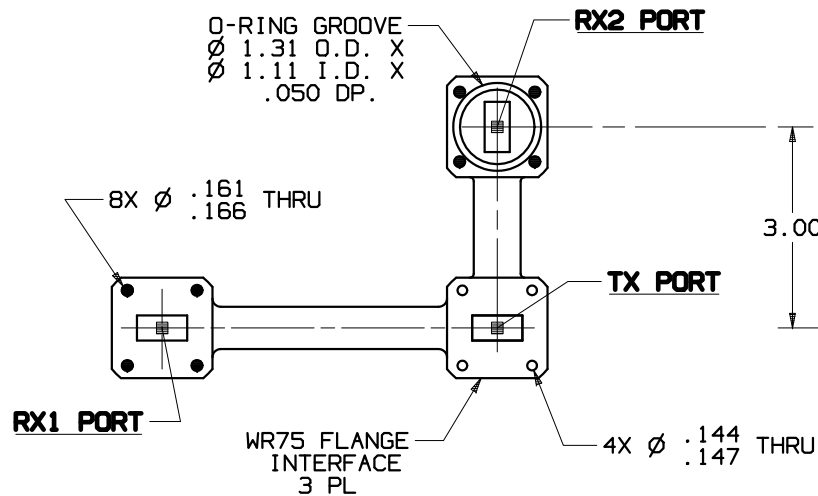
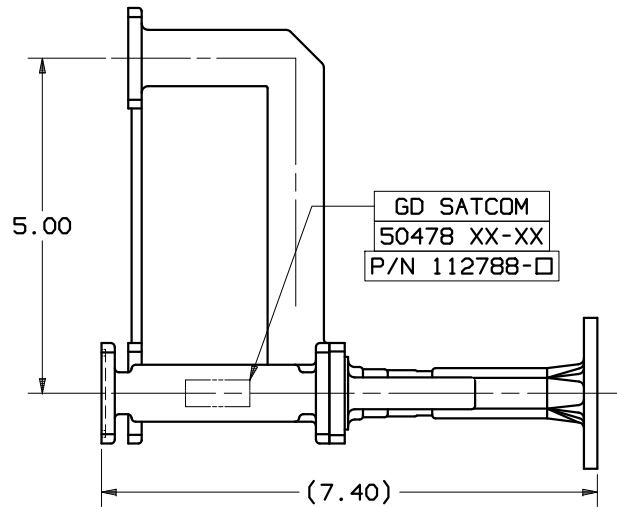
POWER HANDLING : 1 KW CW

PRESSURIZATION : SEALED TO 5.0 PSI

FINISH INTERIOR
 AND FLANGE FACES: CHEM FILMED PER
 MIL-C-5541, CLASS 1A
 EXTERIOR: WHITE PAINT, COLOR No.
 17875 PER FED-STD-595

REVISIONS

REV	DESCRIPTION	EFFECTIVE DATE	APPROVED BY
E	DR# 10115		



CONFIGURATION	FREQUENCY BAND		
	Rx1	Rx2	Tx
-1	10.95-11.70 GHz	10.95-12.75 GHz	13.75-14.50 GHz
-2	11.45-12.20 GHz		
-3	12.00-12.50 GHz		
-4	12.20-12.75 GHz		

UNLESS OTHERWISE SPECIFIED INTERPRET DIMENSIONING & TOLERANCING PER ANSI Y14.5M-1982. DIMENSIONS ARE IN INCHES. DIMENSIONS SHOWN IN () ARE FOR REFERENCE ONLY. TOLERANCES ARE: SURFACE- TOLERANCES- .XX ±.03 .XXX ±.003 .XXXX ± ANGLES ±0°30' 63 ✓ MATERIAL:	APPROVALS DRAWN: L. TOVALIN CHECKED: H. SPIELEDER ENGRS: MFG: QA:	DATE 08-09-02 08-09-02	GENERAL DYNAMICS PROPRIETARY GENERAL DYNAMICS SATCOM Technologies 3111 Fujita St., Torrance, CA 90505, (310) 539-6704		
	EAR CONTROLLED: Export or re-export subject to 15 CFR 700-799.		Ku-BAND 3-PORT DIPLEXER		
	SIZE C	FSCM No. 50478	DWG No. 112788-□	REV E	SHEET 1
	SCALE: 7:10				