

SPECIFICATIONS

FREQUENCY BAND : SEE TABLE BELOW
 INSERTION LOSS : SEE TABLE BELOW

VSWR RX: 1.3:1 MAX
 TX: 1.3:1 MAX

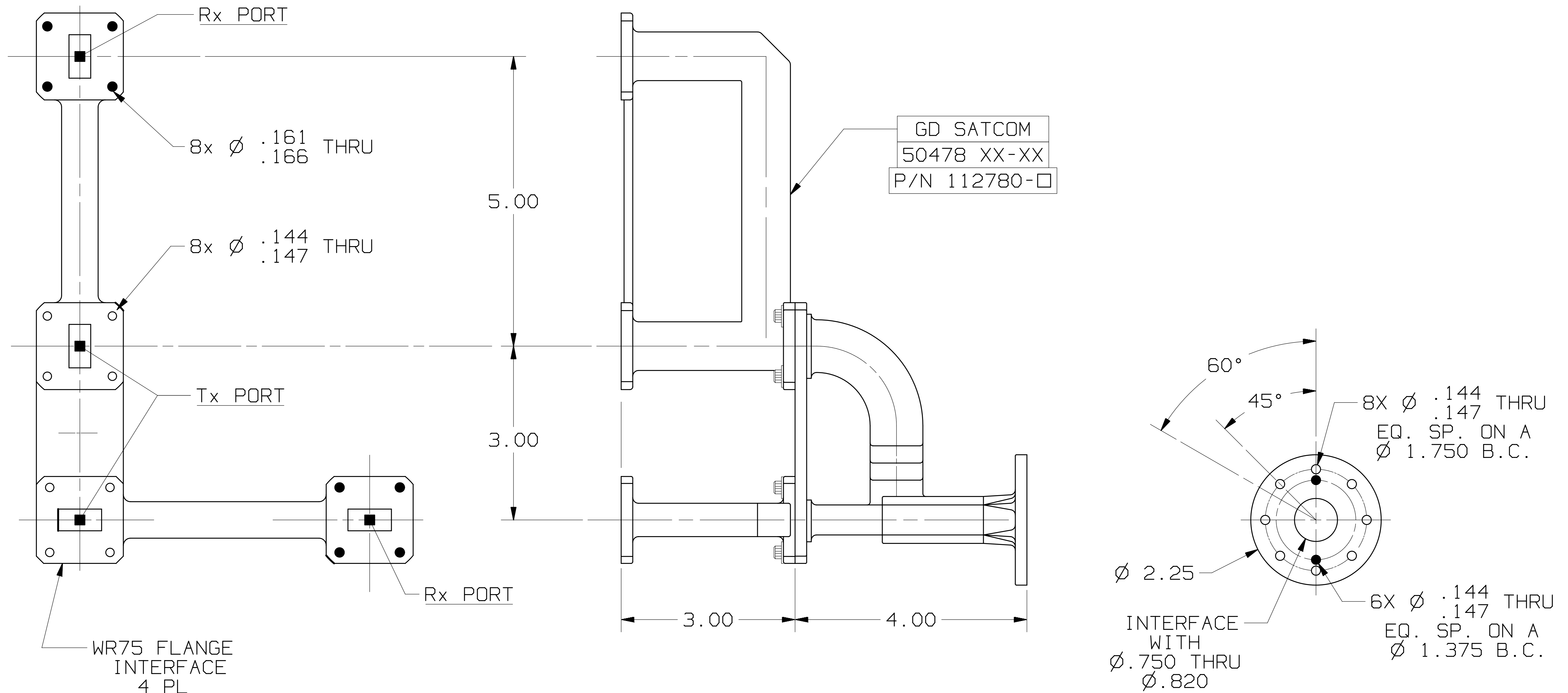
ISOLATION TX-RX: 70 dB
 RX-TX: 35 dB (30 dB, -4 ONLY)
 RX-RX: 35 dB
 TX-TX: 35 dB

CROSSPOL : 35 dB MIN
 PRESSURIZATION: SEALED TO 5.0 PSIG

FINISH
 FLANGE FACES: CHEM FILMED PER MIL-C-5541C CLASS 1A.
 EXTERIOR: WHITE PAINT, COLOR No.17875 PER FED-STD-595.

REVISIONS

REV	DESCRIPTION	DATE	APPROVED
B	SEE ECN# 2123	02-06-09	



CONFIGURATION	FREQUENCY BAND		INSERTION LOSS	
	Rx (2 PORTS)	Tx	Rx	Tx
-1	10.95-11.70 GHz	13.75-14.50 GHz	0.45dB MAX	0.35dB MAX
-2	11.45-12.20 GHz			
-3	12.00-12.50 GHz			
-4	12.20-12.75 GHz			

UNLESS OTHERWISE SPECIFIED		APPROVALS	DATE	GENERAL DYNAMICS PROPRIETARY	
INTERPRET DIMENSIONING & TOLERANCING PER ANSI Y14.5M-1982. DIMENSIONS ARE IN INCHES. DIMENSIONS SHOWN IN () ARE FOR REFERENCE ONLY. TOLERANCES ARE:		DRAWN: L. Tovalin	08-09-02	GENERAL DYNAMICS SATCOM Technologies 3111 Fujita St., Torrance, CA 90505, (310) 539-6704	
SURFACE - TOLERANCES - 63 .XX ±.03 ✓ .XXX ±.003 ✓ .XXXX ± ✓ ANGLES ±0°30'		CHECKED: H. Spieleder	08-09-02		
MATERIAL:		ENGR:		Ku-BAND 4-PORT DIPLEXER Rx/Tx, X-POL	
		MFG:		SIZE C	FSCM No. 50478
		QA:		DWG No. 112780-□	REV B
		EAR CONTROLLED: Export or re-export subject to 15 CFR 700-799.		SCALE: 7:10	SHEET 1