

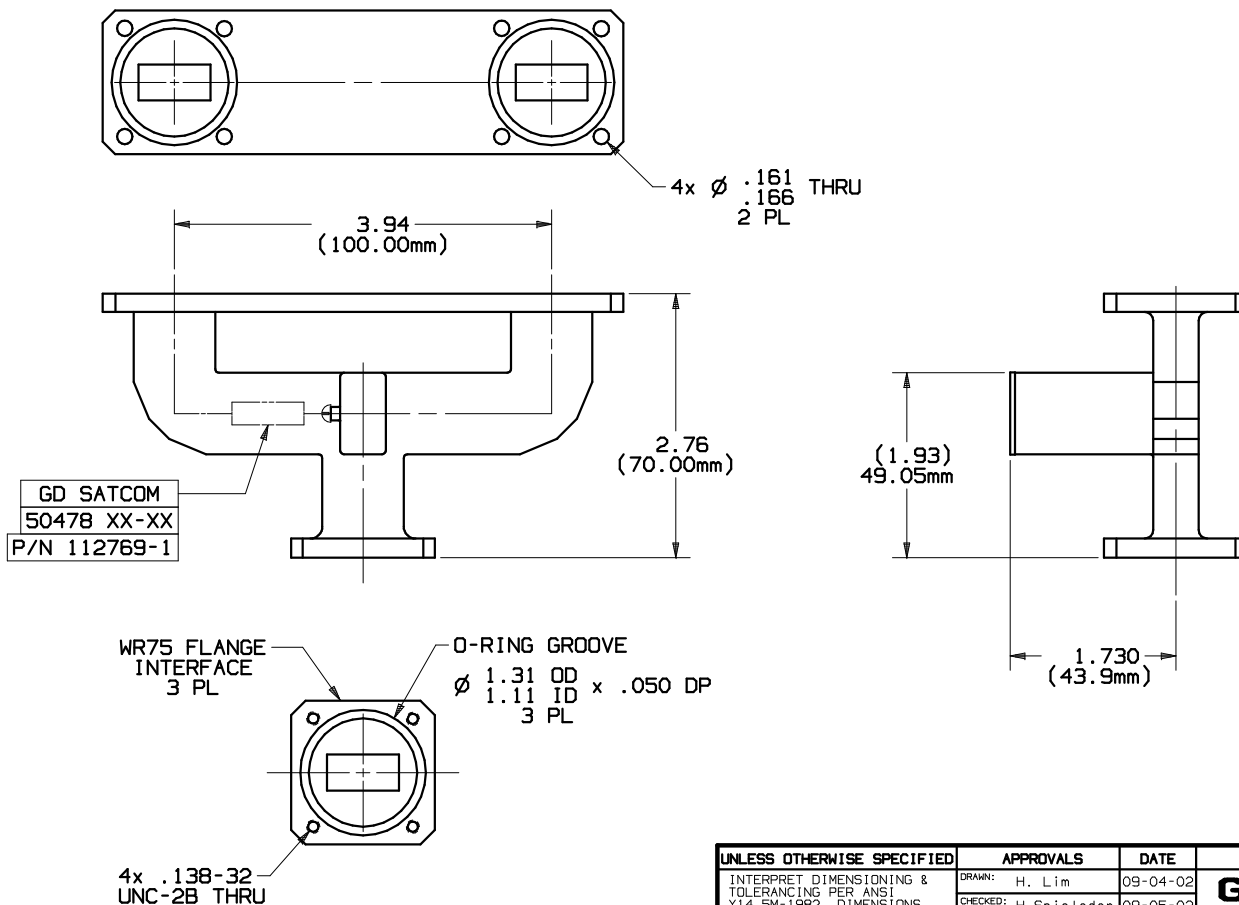
SPECIFICATIONS

FREQUENCY BAND: 10.95 - 12.75 GHz
VSWR : 1.2:1 MAX ALL PORTS
INSERTION LOSS: 3.1 dB MAX
 (COMMON PORT TO INPUTS)
PHASE BALANCE : ±5° (COMBINING PORTS)
ISOLATION : 20 dB MIN (INPUT PORTS)
POWER HANDLING: 20 Watts PER INPUT PORT

FINISH
FLANGE FACES: ZINC-NICKEL PLATED PER AMS
 2417G, TYPE II, CLASS 2
EXTERIOR: WHITE PAINT, COLOR #17875 PER
 FED-STD-595

REVISIONS

REV	DESCRIPTION	DATE	APPROVED
B	SEE ECN #2645	02-11-10	H.S.



NOTES: UNLESS OTHERWISE SPECIFIED.

UNLESS OTHERWISE SPECIFIED INTERPRET DIMENSIONING & TOLERANCING PER ANSI Y14.5M-1982. DIMENSIONS ARE IN INCHES. DIMENSIONS SHOWN IN () ARE FOR REFERENCE ONLY. TOLERANCES ARE: SURFACE- TOLERANCES- .XX ±.01 .XXX ±.002 .XXXX ±.0010 ANGLES ±0°30' MATERIAL:	APPROVALS	DATE	GENERAL DYNAMICS PROPRIETARY			
	DRAWN: H. Lim CHECKED: H.Spieleleder ENGRG: MFG:	09-04-02 09-05-02		GENERAL DYNAMICS SATCOM Technologies 3111 Fujita St., Torrance, CA 90505, (310) 539-6704		
	EAR CONTROLLED: Export or re-export subject to 15 CFR 700-799.					
				SIZE	FSCM No.	DWG No.
			C	50478	112769-1	B
			SCALE: 1:1		SHEET	1