

SPECIFICATIONS

FREQUENCY BAND Rx: 11.70 - 12.75 GHz
Tx: 13.75 - 14.80 GHz

INSERTION LOSS Rx: 0.50 dB MAX
Tx: 0.35 dB MAX

VSWR Rx: 1.50:1
Tx: 1.50:1

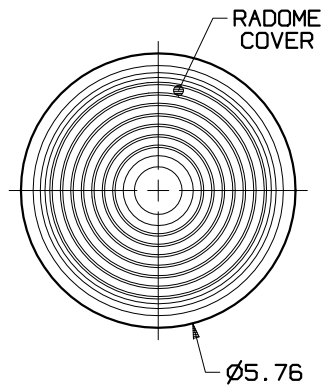
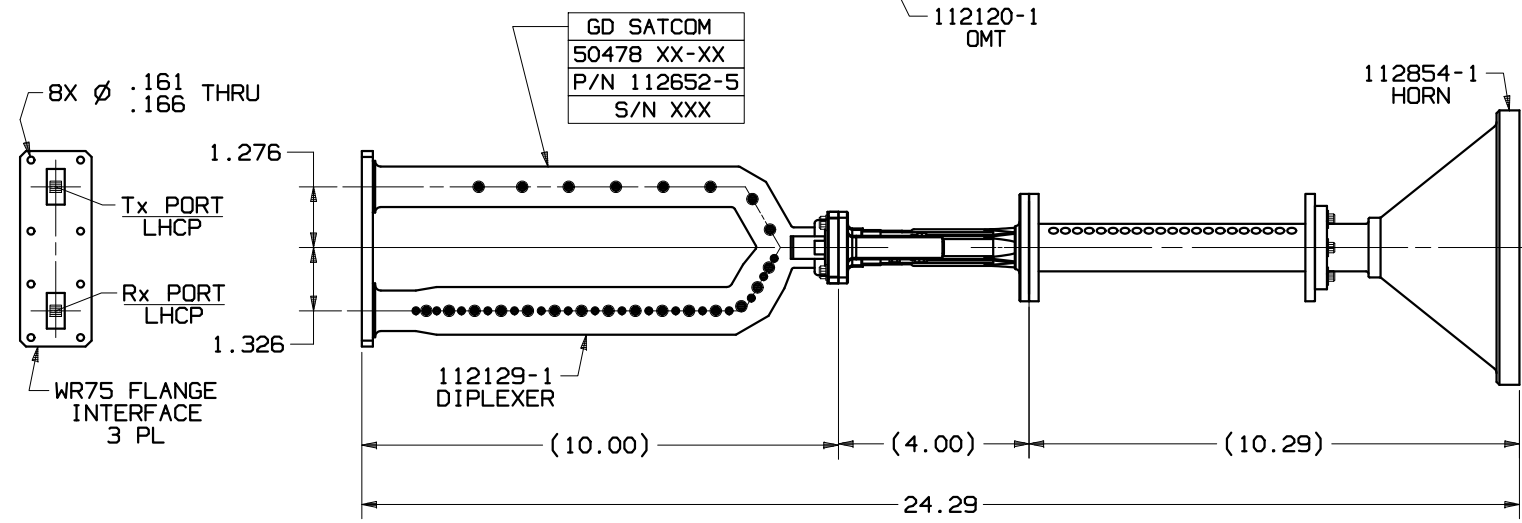
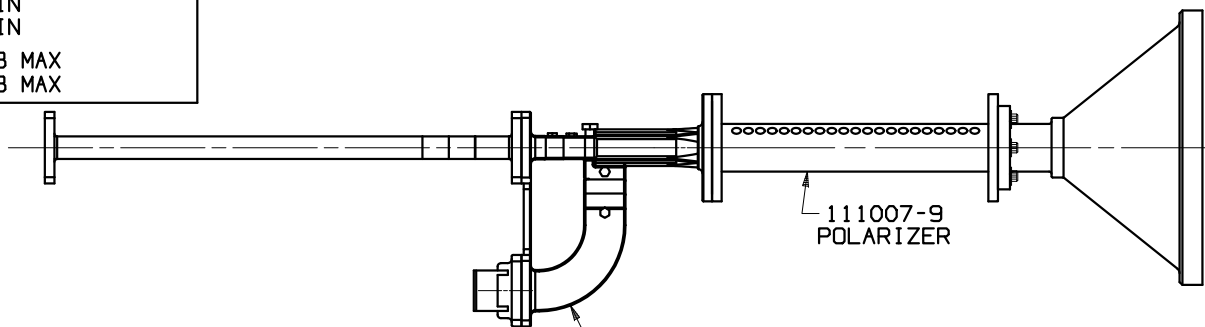
ISOLATION Tx/Rx: 85 dB MIN
Rx/Tx: 70 dB MIN

AXIAL RATIO Rx: 1.50 dB MAX
Tx: 1.50 dB MAX

PRESSURIZATION: SEALED TO 1.0 PSIG

FINISH
FLANGE FACES: CHROMATE CONVERSION COATED
EXTERIOR: WHITE PAINT, COLOR No. 17875
PER FED-STD-595

REVISIONS			
REV	DESCRIPTION	DATE	APPROVED
A	REVISED PER DR 12291	25JAN13	



NOTES: UNLESS OTHERWISE SPECIFIED.

<small>UNLESS OTHERWISE SPECIFIED</small> INTERPRET DIMENSIONING & TOLERANCING PER ANSI Y14.5M-1982. DIMENSIONS ARE IN INCHES. DIMENSIONS SHOWN IN () ARE FOR REFERENCE ONLY. TOLERANCES ARE: SURFACE- .XX ±.02 .XXX ±.002 .XXXX ±.0010 ANGLES ±0°30' 32 ✓ MATERIAL:	<small>APPROVALS</small> DRAWN: H. Lim CHECKED: H. Spieleder ENGRG: MFG: QA:	<small>DATE</small> 07-14-10 07-14-10	GENERAL DYNAMICS PROPRIETARY GENERAL DYNAMICS SATCOM Technologies 3111 Fujita St., Torrance, CA 90505, (310) 539-6704 Ku-BAND 2-PORT CoPOL FEED, C.P.	<small>SIZE</small> C	<small>FSCM No.</small> 50478	<small>DWG No.</small> 112652-5	<small>REV</small> A	
	<small>EAR CONTROLLED:</small> Export or re-export subject to 15 CFR 700-799.			<small>SCALE</small> 1:2	<small>SHEET</small> 1			
				<small>REVISIONS</small>				