

SPECIFICATIONS

| | |
|-----------------------|--|
| <u>FREQUENCY BAND</u> | Rx: 19.70 - 21.20 GHz Tx: 29.50 - 31.00 GHz |
| <u>INSERTION LOSS</u> | Rx: 0.25 dB MAX Tx: 0.20 dB MAX |
| <u>VSWR</u> | Rx: 1.2:1 Tx: 1.2:1 |
| <u>REJECTION</u> | Rx/Tx: 90 dB MIN Tx/Rx: 90 dB MIN |
| <u>AXIAL RATIO</u> | : 0.75 dB MAX |
| <u>POWER HANDLING</u> | : 500 WCW MIN |

PRESSURIZATION: SEALED TO 5 PSI

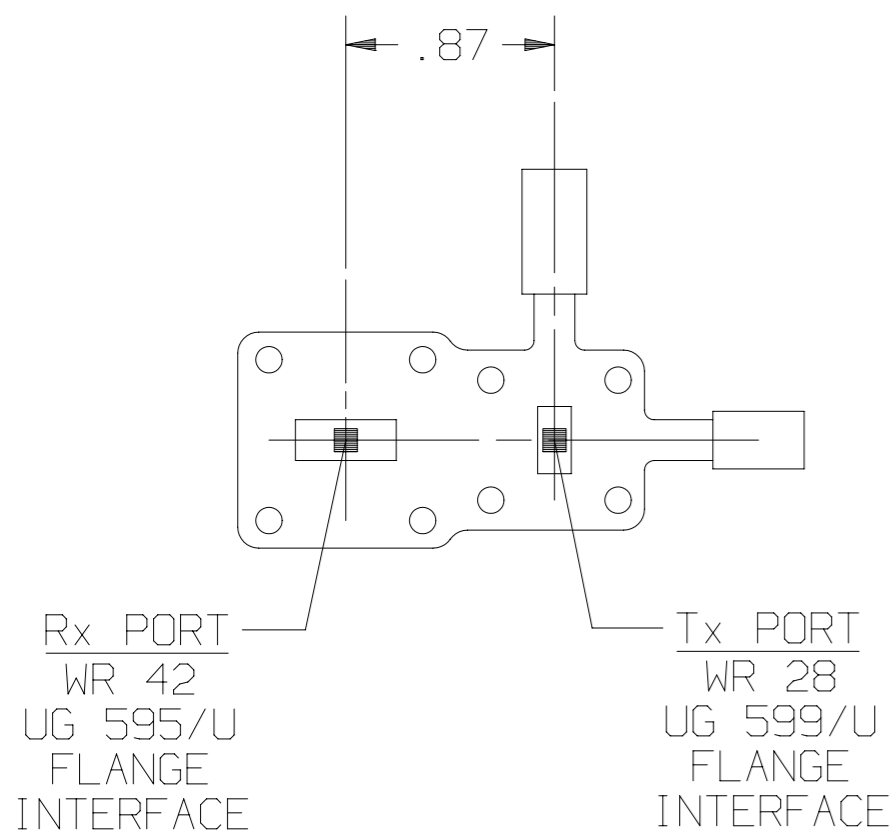
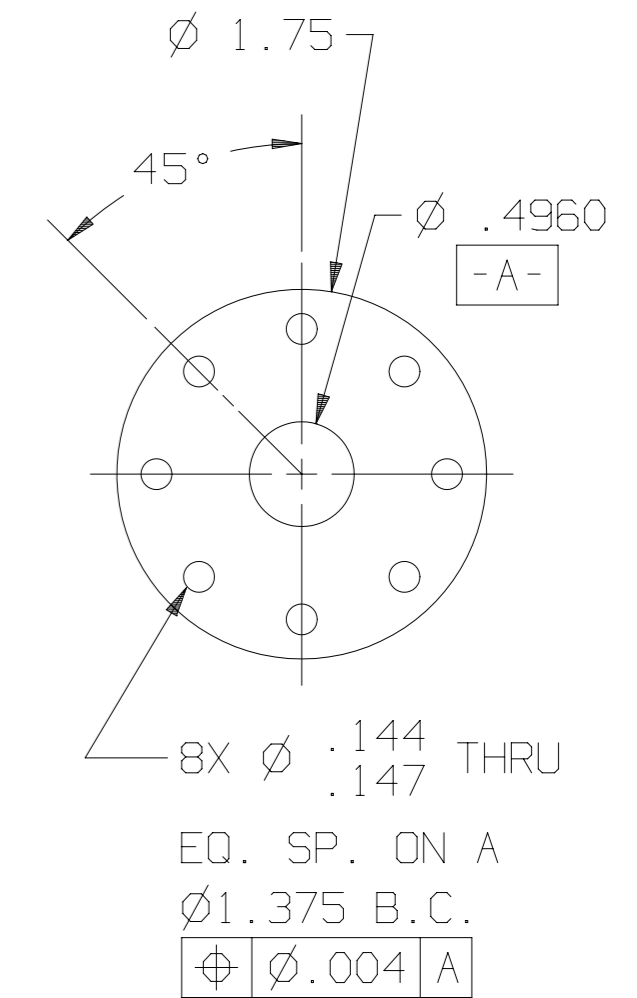
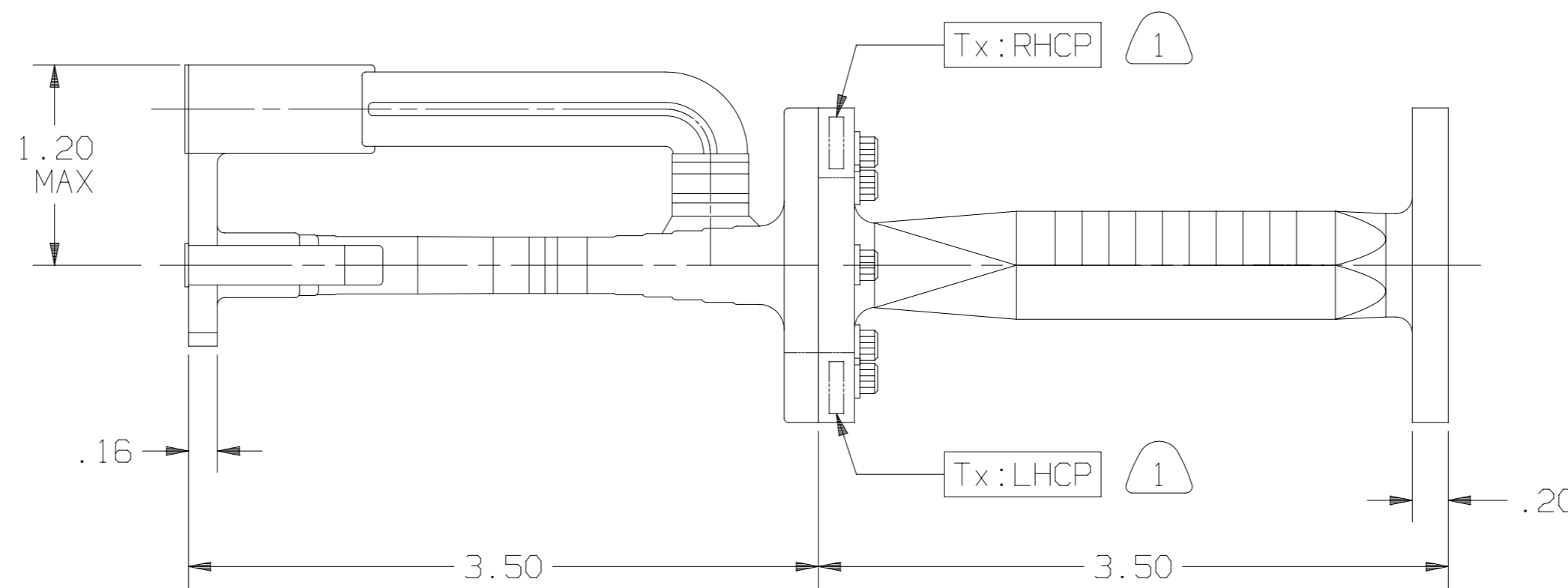
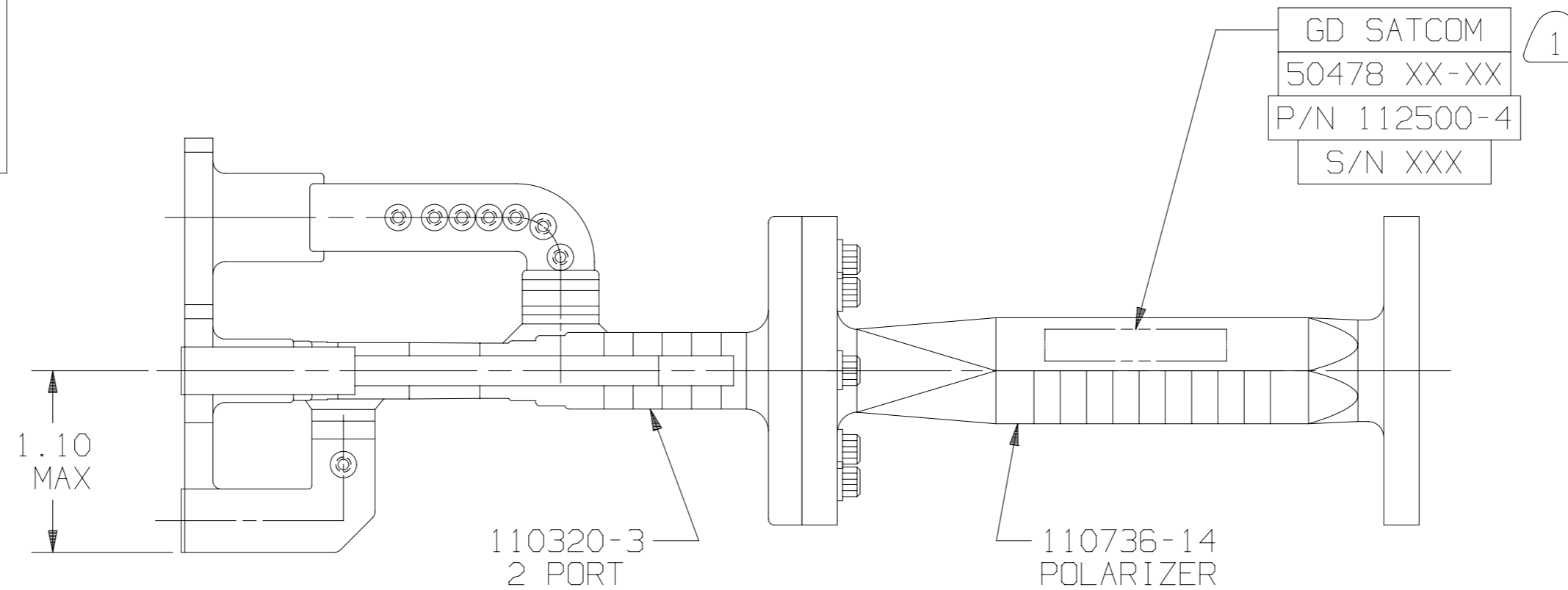
FINISH

COMMON PORT: ZINC-NICKEL PLATED PER AMS-2417G
TYPE II, CLASS 2

PORTS 1 AND 2: COPPER ALLOY

EXTERIOR: WHITE PAINT, COLOR No. 17875,
PER FED-STD-595

| REVISIONS | | | |
|-----------|--------------|----------|----------|
| REV | DESCRIPTION | DATE | APPROVED |
| H | SEE ECN 3241 | 12-02-10 | |



| | | |
|--|--|----------|
| UNLESS OTHERWISE SPECIFIED INTERPRET DIMENSIONING & TOLERANCING PER ANSI Y14.5M-1982. DIMENSIONS ARE IN INCHES. DIMENSIONS SHOWN IN () ARE FOR REFERENCE ONLY. TOLERANCES ARE: SURFACE - TOLERANCES - 32 ✓ .XX ±.01 .XXX ±.002 .XXXX ± ANGLES ±0°30' MATERIAL: | APPROVALS | DATE |
| | DRAWN: TOVALIN, L | 11-08-02 |
| | CHECKED: H. SPIELEDER | 11-08-02 |
| | ENGR: | |
| | MFG: | |
| | QA: | |
| | EAR CONTROLLED: | |
| | Export or re-export subject to 15 CFR 700-799. | |

| | | | |
|---|----------|----------|-----|
| GENERAL DYNAMICS PROPRIETARY | | | |
| GENERAL DYNAMICS SATCOM Technologies 3111 Fujita St., Torrance, CA 90505, (310) 539-6704 | | | |
| Ka-BAND 2-PORT FEED CIRCULAR POLARIZED | | | |
| SIZE | FSCM No. | DWG No. | REV |
| C | 50478 | 112500-4 | H |
| SCALE: 5:4 | | SHEET | 1 |

① IDENTIFICATION AND DESIGNATION LABEL

NOTES: UNLESS OTHERWISE SPECIFIED