

SPECIFICATIONS

FREQUENCY BAND RX: 10.70 - 12.50 GHz
TX: 12.75 - 14.50 GHz

INSERTION LOSS RX: 0.80 dB MAX
TX: 0.80 dB MAX

VSWR RX: 1.25:1 MAX
TX: 1.25:1 MAX

ISOLATION TX/RX: 115 dB MIN
RX/TX: 70 dB MIN
TX/TX: 35 dB MIN
RX/RX: 35 dB MIN

CROSSPOL : 35 dB MIN

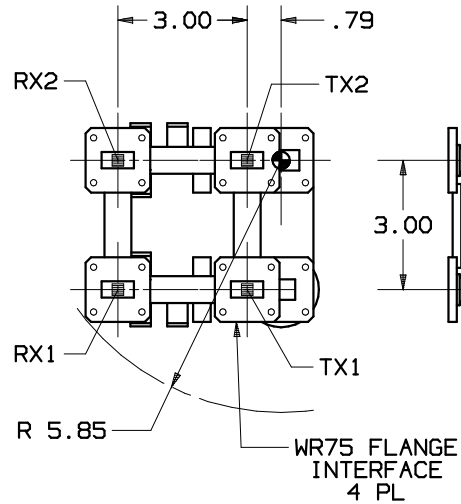
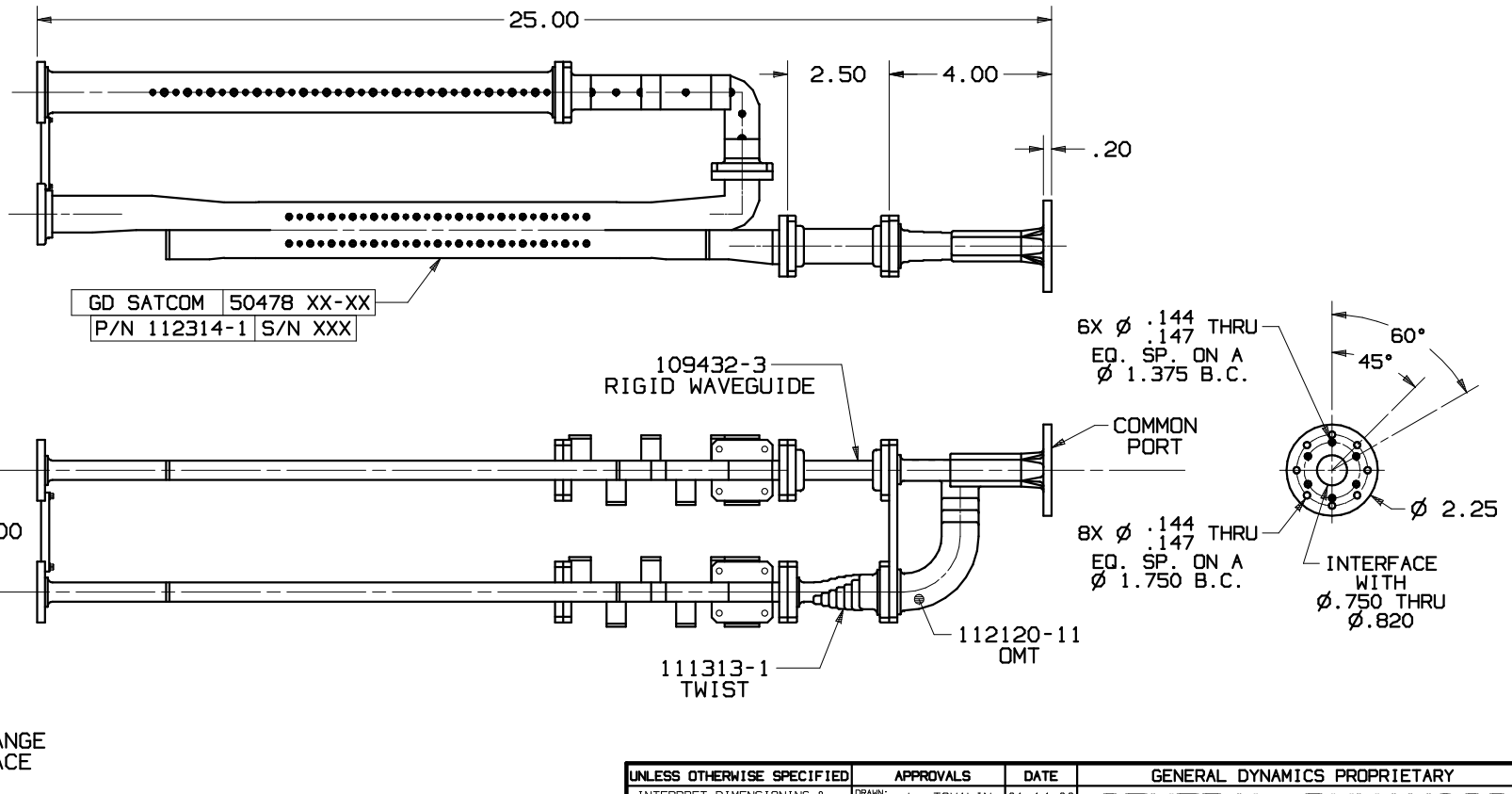
POWER HANDLING: 1.0 KW CW (500 W PER TX PORT)

PRESSURIZATION: SEALED TO 5.0 PSIG.

FINISH
COMMON PORT: Zn-Ni PLATE PER AMS-2417G TYPE II CLASS 2
RX AND TX PORT: CHROMATE CONVERSION COATED
EXTERIOR: WHITE PAINT, COLOR No. 17875 PER FED-STD-595

REVISIONS

REV	DESCRIPTION	DATE	APPROVED
B	SEE ECN#2425	08-19-09	



UNLESS OTHERWISE SPECIFIED		APPROVALS	DATE	GENERAL DYNAMICS PROPRIETARY	
INTERPRET DIMENSIONING & TOLERANCING PER ANSI Y14.5M-1982. DIMENSIONS ARE IN INCHES. DIMENSIONS SHOWN IN () ARE FOR REFERENCE ONLY. TOLERANCES ARE:		DRAWN: L. TOVALIN	01-14-00	GENERAL DYNAMICS SATCOM Technologies 3111 Fujita St., Torrance, CA 90505, (310) 539-6704	
SURFACE - TOLERANCES - .XX ±.03 .XXX ±.003 .XXXX ± ANGLES ±0°30'		CHECKED: H.SPIELEDER	08-22-00		
MATERIAL:		ENG'G:		Ku-BAND 4-PORT DIPLEXER	
		DA:			
		EAR CONTROLLED: Export or re-export subject to 15 CFR 700-799.		SIZE	FSCM No.
				C	50478
				DWG No.	112314-1
				REV	B
				SCALE: X:X	SHEET 1

NOTES: UNLESS OTHERWISE SPECIFIED.