

# SPECIFICATIONS

**FREQUENCY BAND** RX: 10.70 - 12.75 GHz  
TX: 13.00 - 14.50 GHz

**INSERTION LOSS** RX: 0.80 dB MAX (0.40 dB TYP)  
TX: 0.60 dB MAX (0.40 dB TYP)

**VSWR** RX: 1.25:1 MAX  
TX: 1.25:1 MAX

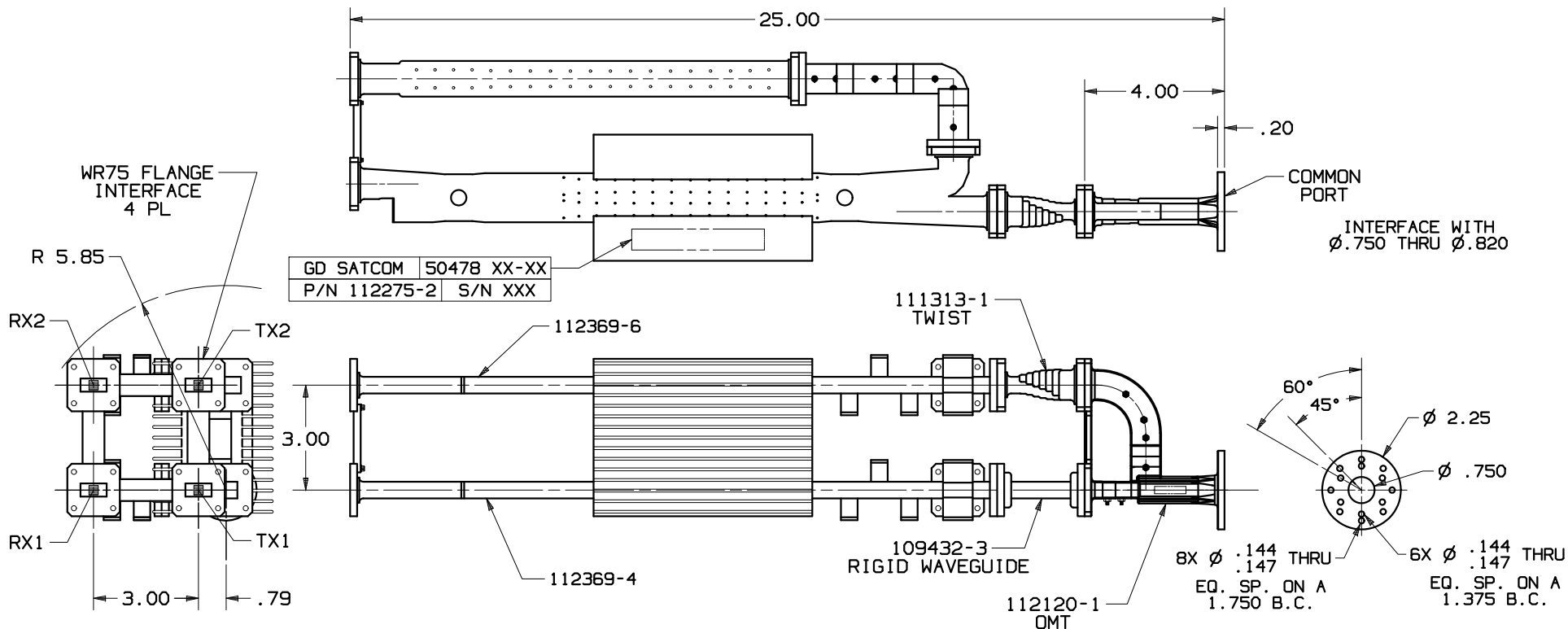
**ISOLATION** TX/RX: 85 dB MIN  
RX/TX: 70 dB MIN  
TX/TX: 40 dB MIN  
RX/RX: 40 dB MIN

**CROSSPOL** : 40 dB MIN

**POWER HANDLING:** 2.0 KW CW (1.0 KW PER TX PORT)  
**APPROXIMATE HEAT DISSIPATION AT 2.0 KW:** 195 W  
**TOTAL HEAT DISSIPATION AREA** : 635 IN<sup>2</sup>  
**MAX OPERATING TEMP** : 115°C  
**PRESSURIZATION:** SEALED TO 5.0 PSIG.

**FINISH**  
COMMON PORT: CHROMATE CONVERSION COATED PER MIL-DTL-5541F, TYPE II CLASS 2  
RX AND TX PORT: COPPER ALLOY  
EXTERIOR: BLACK PAINT, COLOR No. 37038 PER FED-STD-595

REVISIONS			
REV	DESCRIPTION	DATE	APPROVED
B	REVISED PER DR 12251	20DEC12	



UNLESS OTHERWISE SPECIFIED	SIGNATURES	DATE	GENERAL DYNAMICS PROPRIETARY	
DIMENSIONS ARE IN INCHES	DRAWN: A. MDRA	05-11-10	<b>GENERAL DYNAMICS</b> SATCOM Technologies 3111 Fujita St., Torrance, CA 90505, (310) 539-6704 <b>Ku-BAND 4-PORT DIPLEXER</b> <b>LINEAR POLARIZED</b>	
TOLERANCES-	CHECKED:			
SURFACE .XX ±.01	ENGRS:			
.XXX ±.002	MFG:			
32 ✓ ANGLES ±0°30'	EAR CONTROLLED:		SIZE FSCM No. DWG No. REV <b>C 50478 112275-2 B</b>	
MATERIAL	Export or re-export subject to 15 CFR 700-799.		SCALE: SHEET 1	
FINISH				