

# SPECIFICATIONS

**FREQUENCY BAND** Rx: 18.40- 20.10 GHz  
Tx: 28.30- 30.40 GHz

**INSERTION LOSS** Rx: 0.25 dB MAX  
Tx: 0.25 dB MAX

**VSWR:** Rx: 1.20:1 MAX  
Tx: 1.20:1 MAX

**ISOLATION** Tx/Rx: 85 dB MIN  
Rx/Tx: 30 dB MIN

**AXIAL RATIO** : 1.50 dB MAX

**POLARIZATION** Rx: LHCP  
Tx: RHCP

**COMMON**  
PORT LOAD VSWR: 1:2 MAX

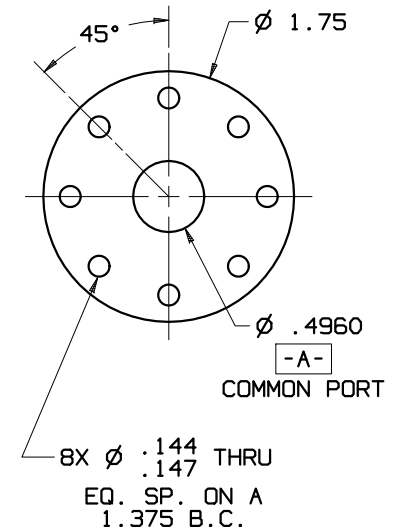
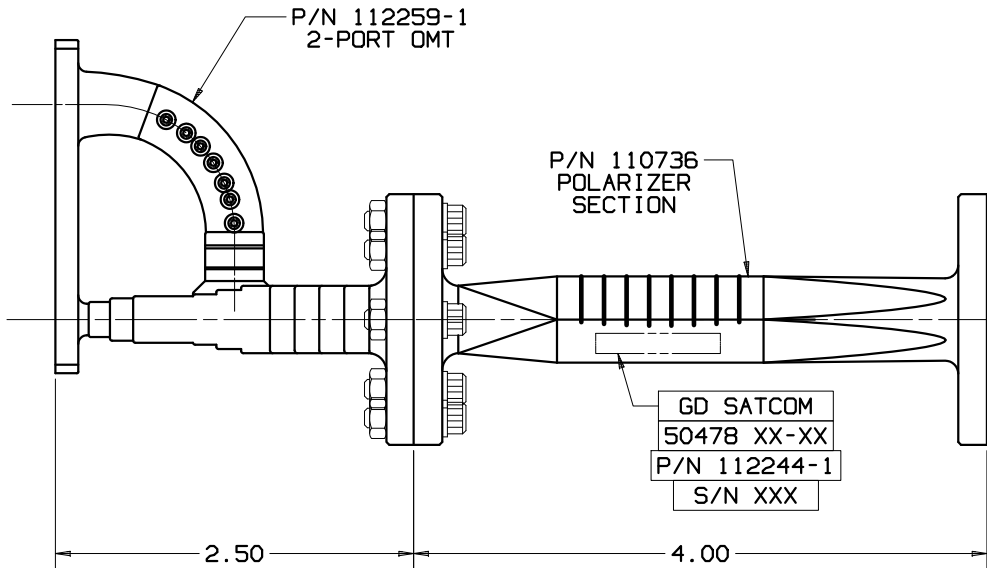
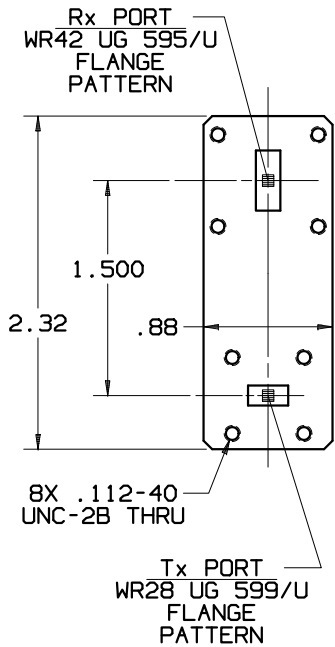
**POWER HANDLING:** 500 W MIN

**PRESSURIZATION:** SEALED TO 5 PSIG

**FINISH**  
FLANGE FACES: CAD PLATED PER QQ-P-416,  
TYPE II, CLASS 2  
EXTERIOR: WHITE PAINT, COLOR No 17875  
PER FED-STD-595

# REVISIONS

REV	DESCRIPTION	DATE	APPROVED
G	SEE DR No 11318	01-16-12	H.S.



NOTES: UNLESS OTHERWISE SPECIFIED.

UNLESS OTHERWISE SPECIFIED INTERPRET DIMENSIONING & TOLERANCING PER ANSI Y14.5M-1982. DIMENSIONS ARE IN INCHES. DIMENSIONS SHOWN IN ( ) ARE FOR REFERENCE ONLY. TOLERANCES ARE:  SURFACE- TOLERANCES- .XX ±.01 .XXX ±.002 .XXXX ±.0010 ANGLES ±0°30'  MATERIAL:	APPROVALS	DATE	GENERAL DYNAMICS PROPRIETARY <b>GENERAL DYNAMICS</b> SATCOM Technologies 3111 Fujita St., Torrance, CA 90505, (310) 539-6704		
	DRAWN: L. TOVALIN CHECKED: H. Spieleder ENGRG: MFG: QA:	10-12-99 11-03-99			
	<b>EAR CONTROLLED:</b> Export or re-export subject to 15 CFR 700-799.			<b>Ka-BAND 2-PORT DIPLEXER</b> <b>CIRCULAR POLARIZED</b>	
	SIZE	FSCM No.	DWG No.		
C	50478	112244-1	G	SCALE: 3:2	SHEET 1