

# SPECIFICATIONS

**FREQUENCY BAND** RX: 10.70-12.20 GHz  
TX: 12.75-14.50 GHz

**INSERTION LOSS** RX: 0.50 dB  
TX: 0.35 dB

**VSWR** RX: 1.25:1 MAX  
TX: 1.25:1 MAX

**ISOLATION** TX/RX: 85 dB MIN.  
RX/TX: 50 dB MIN.  
RX/RX: 35 dB MIN.  
TX/TX: 35 dB MIN.

**CROSSPOL** : 35 dB MIN.

**PRESSURIZATION** : SEALED TO 5 PSIG

**FINISH**  
FLANGE FACES: CHROMATE  
CONVERSION COATED  
EXTERIOR: BLACK PAINT  
COLOR NO. 37038  
PER FED-STD-595

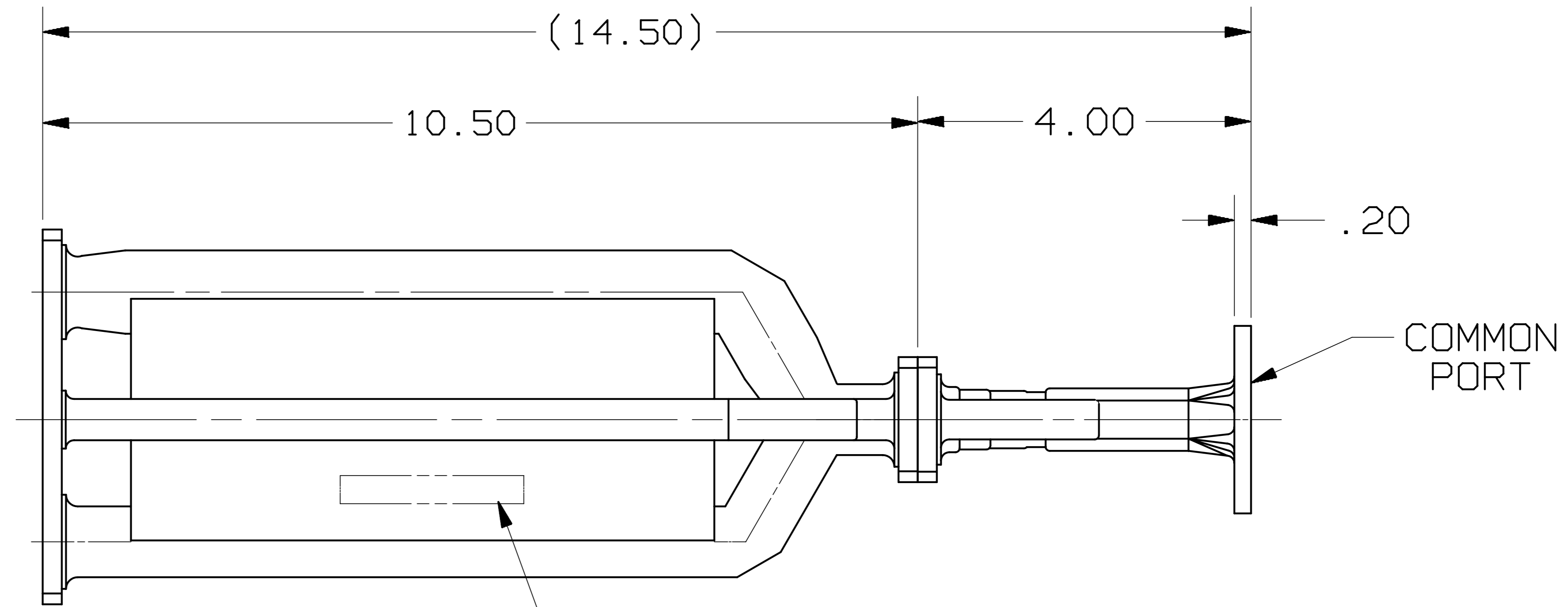
**POWER HANDLING** : 5.0 KW CW  
(2.5 KW PER TX PORT)

**APPROXIMATE HEAT DISSIPATION AT**

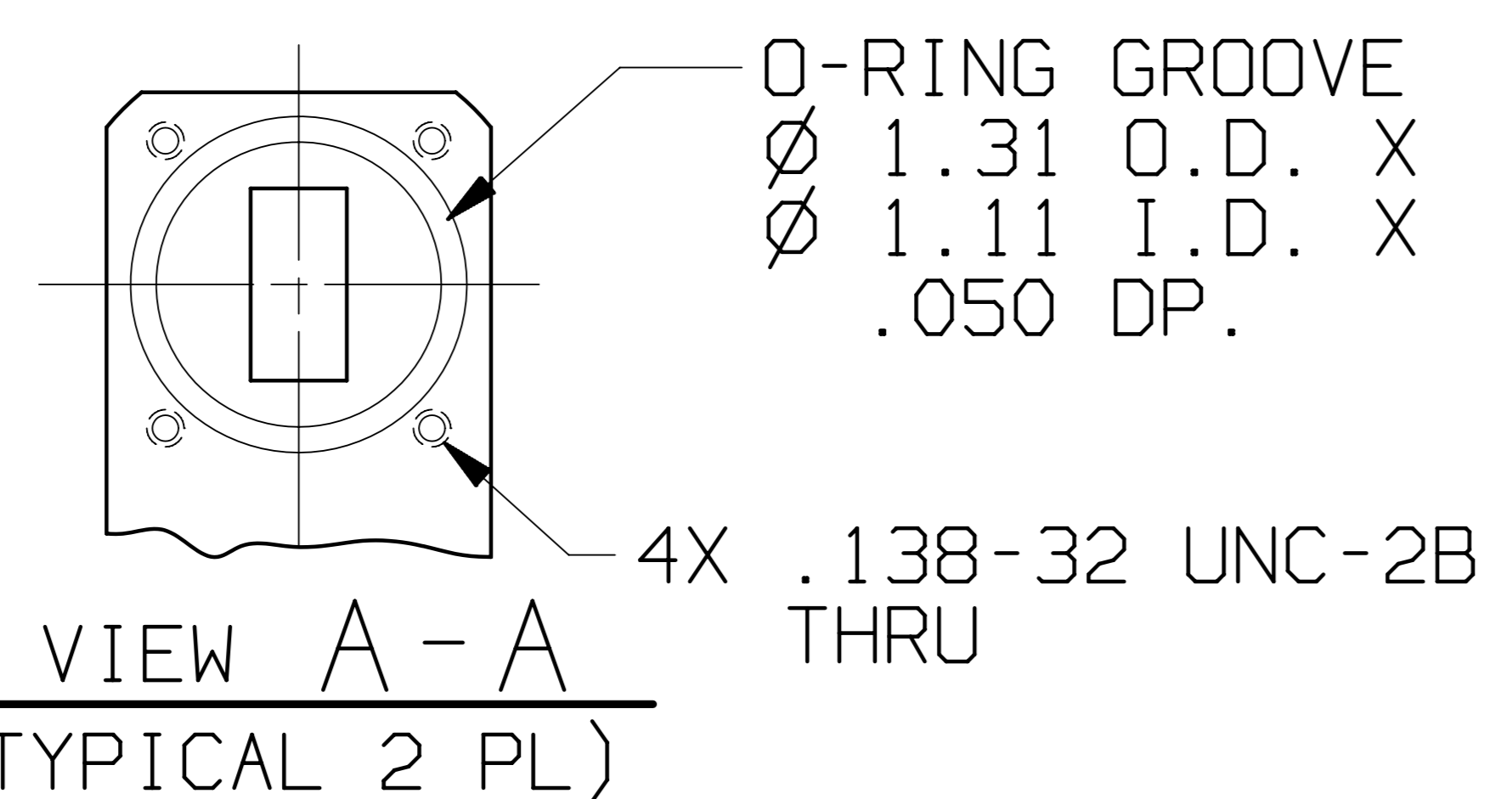
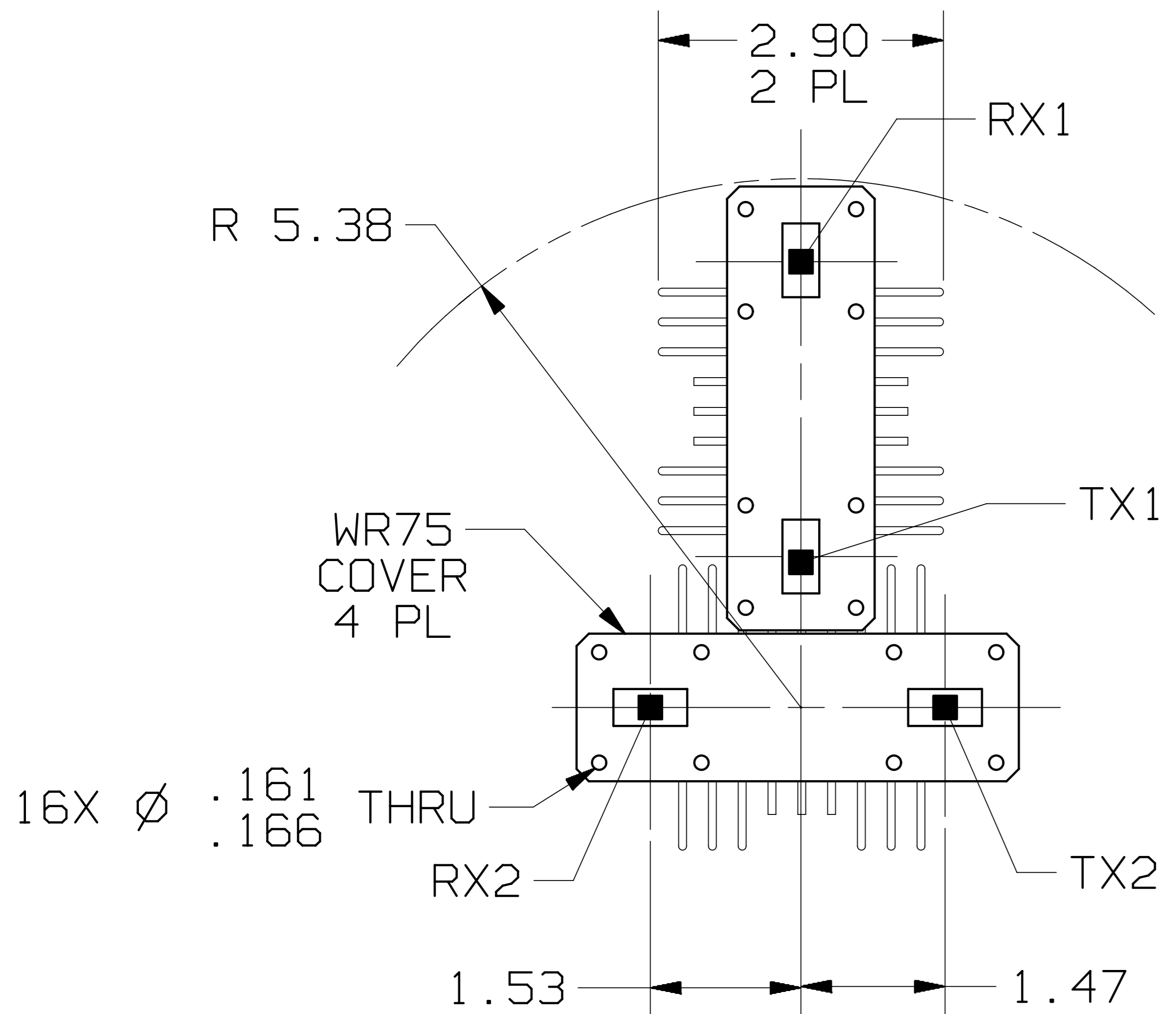
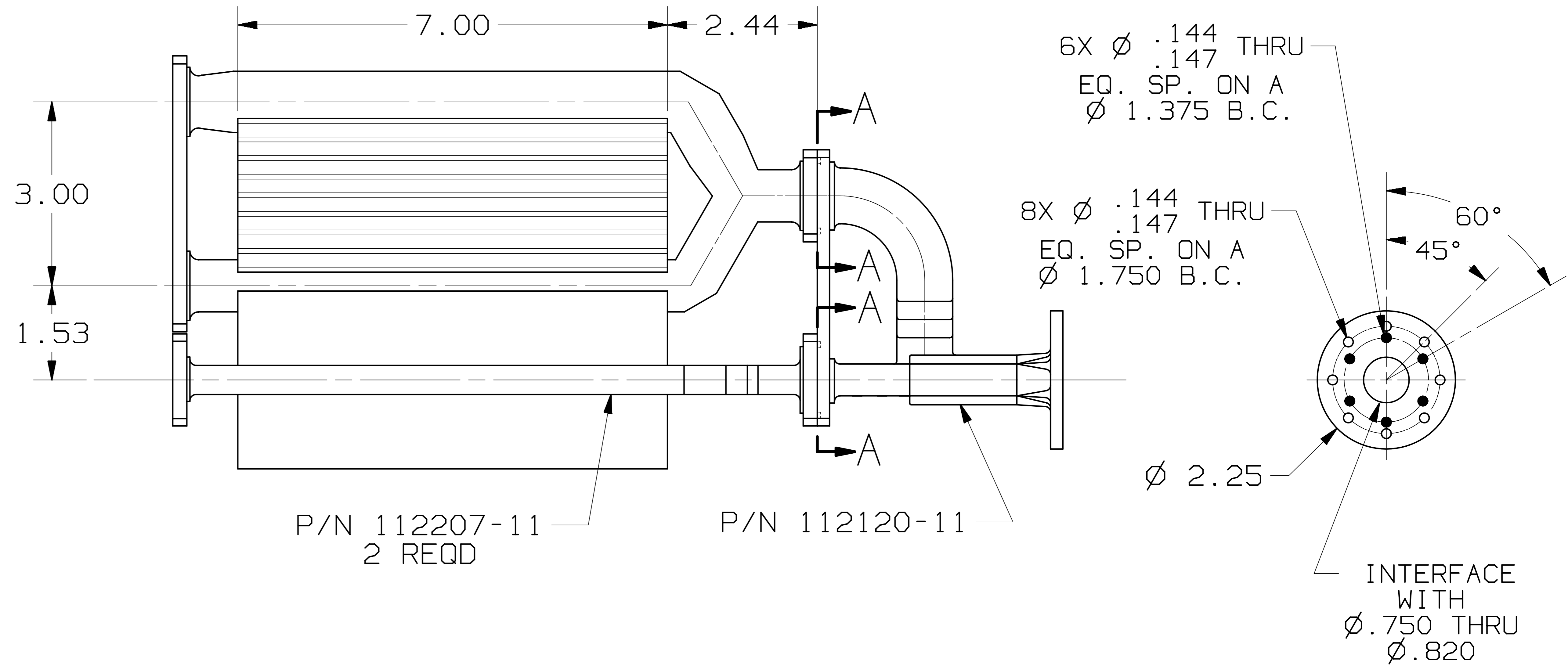
500 W CW:	28 W
1000 W CW:	56 W
1500 W CW:	84 W
2000 W CW:	112 W
3000 W CW:	168 W
4000 W CW:	224 W
5000 W CW:	280 W

**TOTAL HEAT DISSIPATION AREA** : 642 IN<sup>2</sup>  
**MAX OPERATING TEMP**: 115°C

REVISIONS			
REV	DESCRIPTION	DATE	APPROVED
-	INITIAL RELEASE	10-22-99	



GD SATCOM  
50478 XX-XX  
P/N 112215-2  
S/N XXX



UNLESS OTHERWISE SPECIFIED DIMENSIONS ARE IN INCHES TOLERANCES- SURFACE .XX ±.03 .XXX ±.002 .XXXX ±. 63 ✓ ANGLES± MATERIAL COPPER FINISH	SIGNATURES	DATE	GENERAL DYNAMICS PROPRIETARY <b>GENERAL DYNAMICS</b> SATCOM Technologies 3111 Fujita St., Torrance, CA 90505, (310) 539-6704
	DRAWN: L. TOVALIN CHECKED: ENGRG: ENGRG:	10-22-99	
EAR CONTROLLED: Export or re-export subject to 15 CFR 700-799.			<b>KU-BAND</b> <b>4-PORT DIPLEXER HP</b>
SIZE C		FSCM NO. 50478	DWG NO. 112215-2
SCALE: 1/1		SHEET 1 OF 1	

NOTES: UNLESS OTHERWISE SPECIFIED.