

SPECIFICATION

| | |
|-----------------------|---|
| FREQUENCY BAND | Rx: 10.95 - 12.75 GHz Tx: 13.75 - 14.50 GHz |
| INSERTION LOSS | Rx: 0.35 dB MAX Tx: 0.20 dB MAX |
| VSWR | Rx: 1.7:1 MAX 10.95 - 11.10 GHz : 1.5:1 MAX 11.10 - 12.75 GHz Tx: 1.3:1 MAX |
| ISOLATION | Tx/Rx: 85 dB MIN Rx/Tx: 35 dB MIN |
| CROSS-POL | : 35 dB MIN |

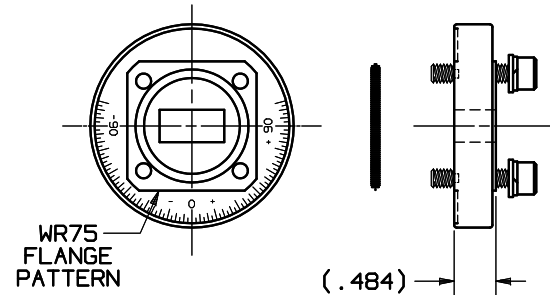
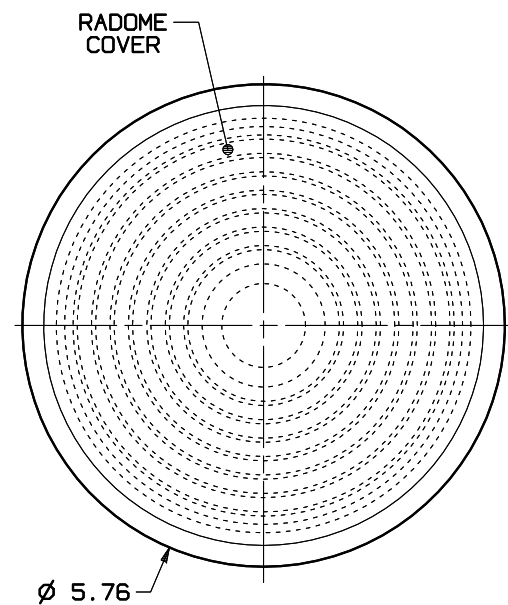
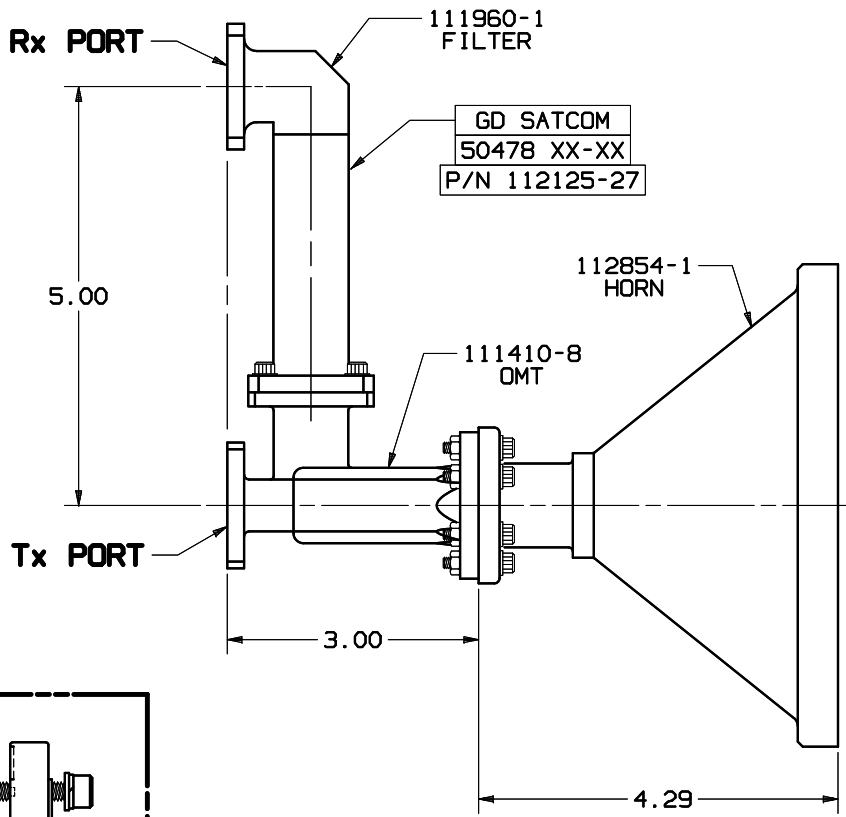
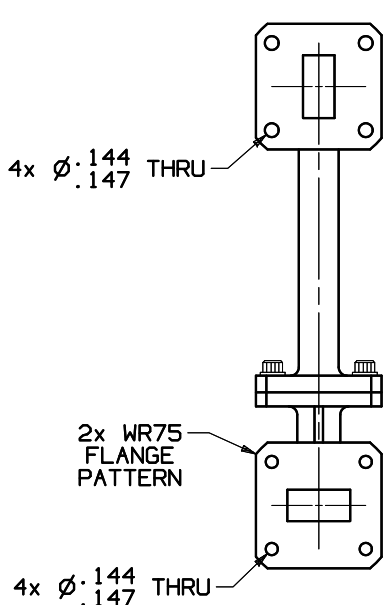
PRESSURIZATION : SEALED TO 5.0 PSIG

FINISH INTERIOR & FLANGE FACES: CHEM FILMED PER MIL-C-5541C, CLASS 1A

EXTERIOR: WHITE PAINT, COLOR #17875 PER FED-STD-595

REVISIONS

| REV | DESCRIPTION | DATE | APPROVED |
|-----|-----------------|----------|----------|
| - | INITIAL RELEASE | 05-05-08 | H.S. |



ADAPTER KIT P/N 113206-1 (0200-1193)
SUPPLIED WITH FEED

| UNLESS OTHERWISE SPECIFIED | | APPROVALS | DATE | GENERAL DYNAMICS PROPRIETARY | |
|--|--|--|----------|--|-----|
| INTERPRET DIMENSIONING & TOLERANCING PER ANSI Y14.5M-1982. DIMENSIONS ARE IN INCHES. DIMENSIONS SHOWN IN () ARE FOR REFERENCE ONLY. TOLERANCES ARE: | | DRAWN: H. Lim | 05-05-08 | GENERAL DYNAMICS SATCOM Technologies 3111 Fujita St., Torrance, CA 90505, (310) 539-6704 | |
| SURFACE- TOLERANCES- 63 ✓ .XX ±.01 .XXX ±.002 .XXXX ± ANGLES ±0°30' | | CHECKED: H. Spieleder | 05-05-08 | | |
| MATERIAL: | | ENGRS: | | | |
| | | MFG: | | | |
| | | QA: | | Ku-BAND 2-PORT FEED: Rx/Tx, X-POL, 39° | |
| | | EAR CONTROLLED: Export or re-export subject to 15 CFR 700-799. | | | |
| | | SIZE | FSCM No. | DWG No. | REV |
| | | C | 50478 | 112125-27 | - |
| | | SCALE: 7:8 | SHEET | | 1 |