

SPECIFICATIONS

FREQUENCY BAND : 10.70 - 14.50 GHz
(BOTH ARMS)

INSERTION LOSS Rx: 0.10 dB MAX
Tx: 0.10 dB MAX

VSWR Rx: 1.20:1 MAX
Tx: 1.20:1 MAX

CROSSPOL : 35 dB MIN

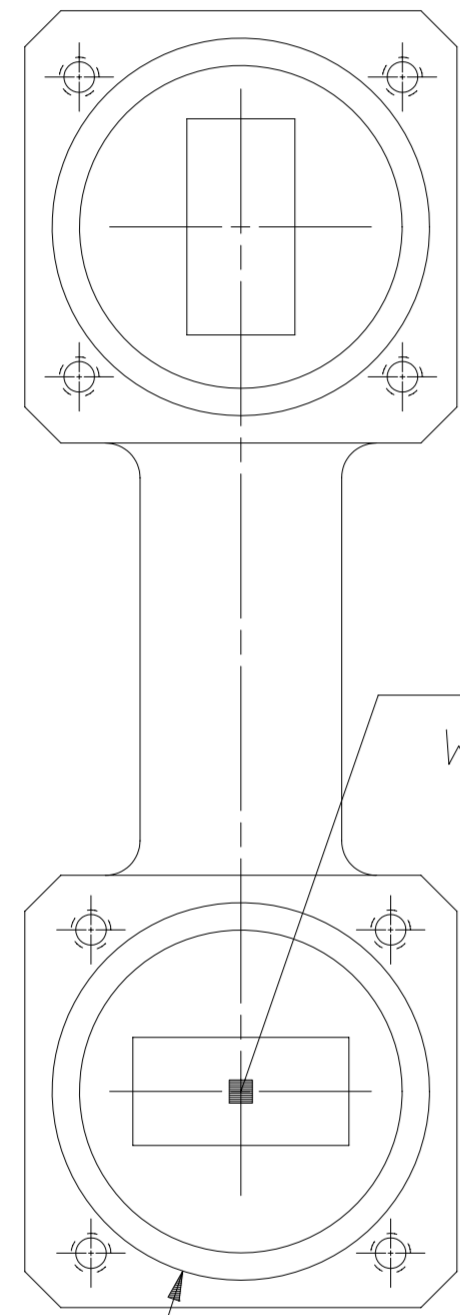
POWER HANDLING : 4 KW CW

PRESSURIZATION : SEALED TO 5.0 PSIG

FINISH INTERIOR
& FLANGE FACES: CHROMATE CONVERSION COATED
EXTERIOR: WHITE PAINT, COLOR #17875
PER FED-STD-595

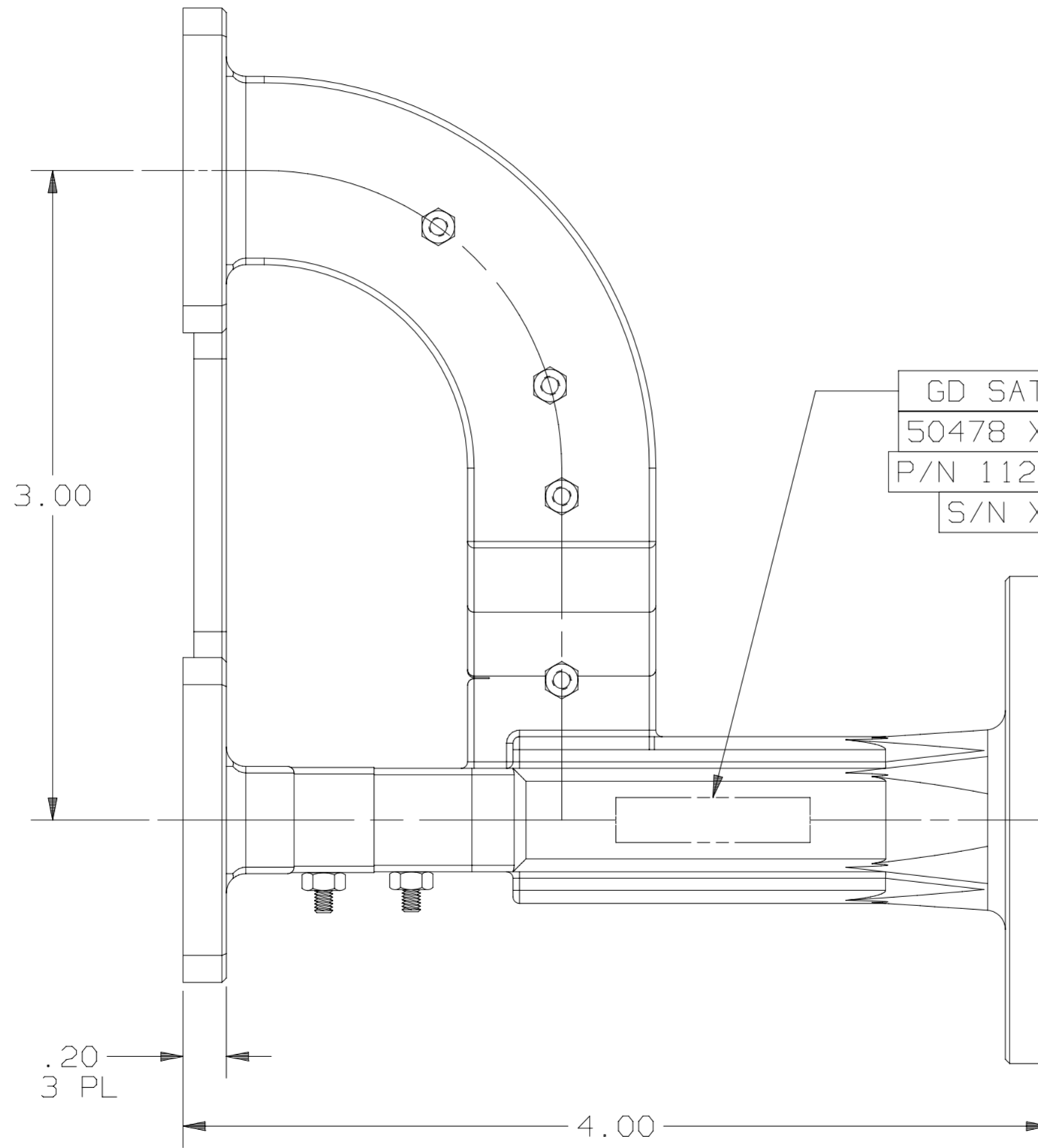
REVISIONS

REV	DESCRIPTION	DATE	APPROVED
E	SEE ECN# 1594	10-29-07	H.S.

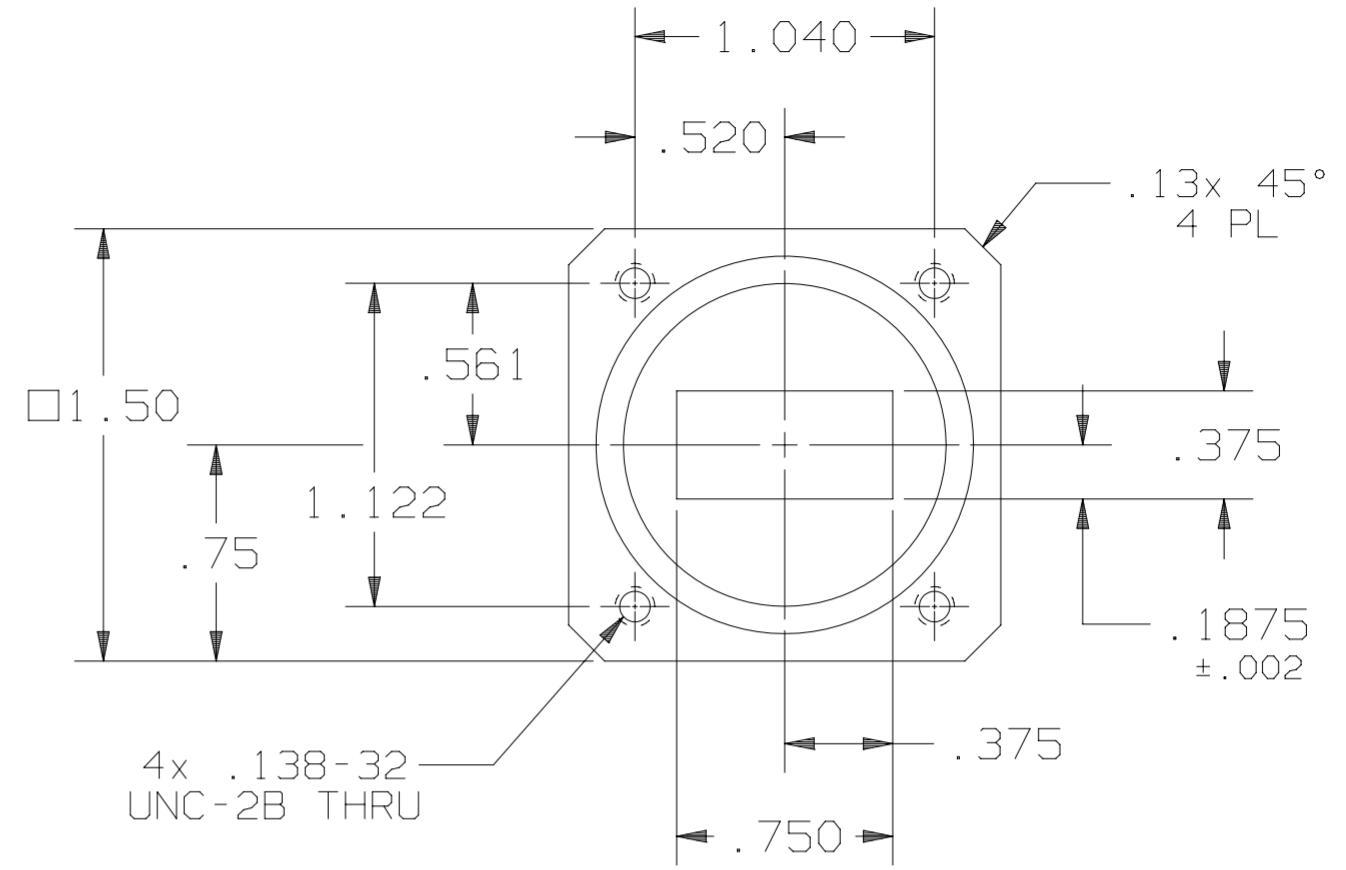


DETAIL A
WR75 FLANGE
PATTERN
2 PL

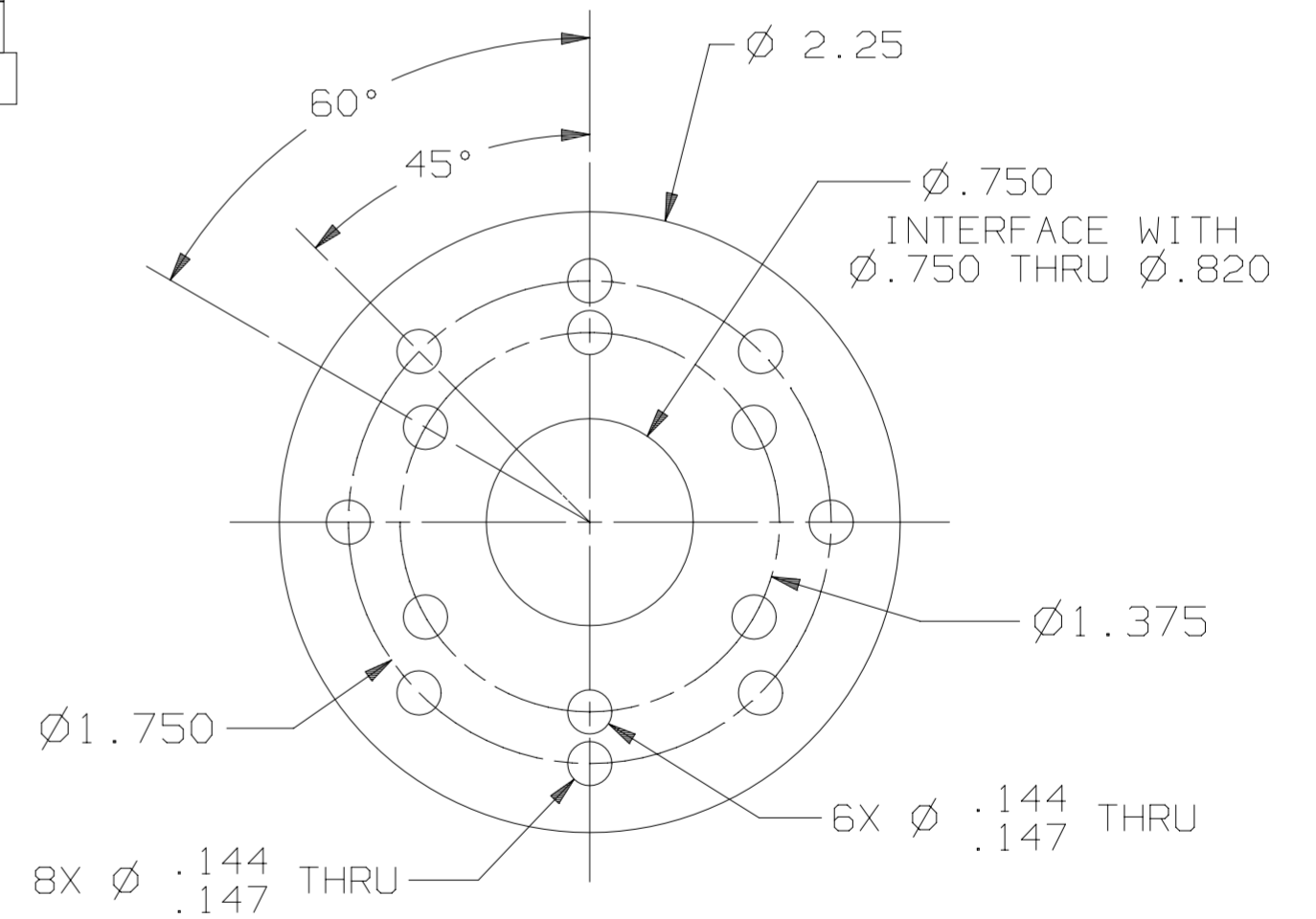
2x O-RING GROOVE
Ø 1.31 OD x .050 DP
Ø 1.12 ID



GD SATCOM
50478 XX-XX
P/N 112120-1
S/N XXX



DETAIL A
2 PL



UNLESS OTHERWISE SPECIFIED	SIGNATURES	DATE
DIMENSIONS ARE IN INCHES	DRAWN: L. TOVALIN	04-14-99
TOLERANCES-	CHECKED: H. Spieleder	04-15-99
SURFACE .XX ±.01	RF ENGR:	
.XXX ±.002	ENGRG:	
.XXXX ±.0010	MFGG:	
32 ✓ ANGLES ±0° 30'		
MATERIAL:	EAR CONTROLLED:	
NEXT ASSY:	Export or re-export subject to 15 CFR 700-799.	

GENERAL DYNAMICS PROPRIETARY
GENERAL DYNAMICS
SATCOM Technologies
3111 Fujita St., Torrance, CA 90505, (310) 539-6704

Ku-BAND OMT, Rx/Tx
10.70-14.50 GHz

SIZE	FSCM No.	DWG No.	REV
C	50478	112120-1	E
SCALE: 3:2		SHEET	1

NOTES: UNLESS OTHERWISE SPECIFIED.