

SPECIFICATIONS

FREQUENCY BAND RX: 10.95- 12.75 GHz
TX: 10.95- 14.50 GHz

INSERTION LOSS RX: .35 dB MAX
TX: .20 dB MAX

VSWR RX: 1.30:1 MAX
TX: 1.30:1 MAX

ISOLATION TX/RX: 85 dB MIN
RX/TX: 35 dB MIN

CROSSPOL : 35 dB MIN

POWER HANDLING : 1 KW CW

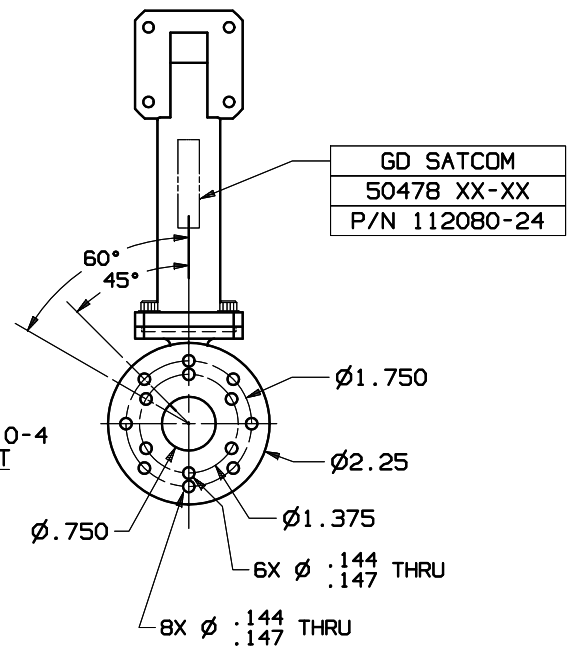
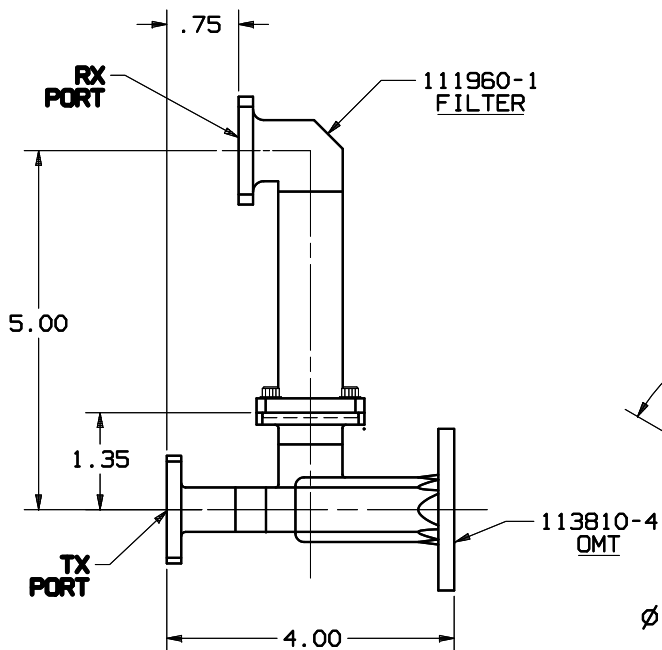
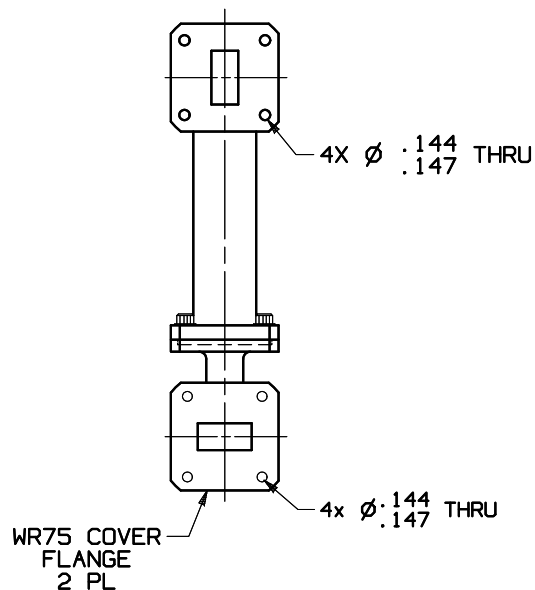
PRESSURIZATION : SEALED TO 5.0 PSIG

FINISH

INTERIOR AND
FLANGE FACES : CHEM-FILMED PER MIL-DTL-5541
TYPE II, CLASS 1A

EXTERIOR : WHITE PAINT COLOR No 17875
PER FED-STD-595

REVISIONS			
REV	DESCRIPTION	EFFECTIVE DATE	APPROVED BY
B	SEE EC 12709		



UNLESS OTHERWISE SPECIFIED		SIGNATURES	DATE	GENERAL DYNAMICS PROPRIETARY	
DIMENSIONS ARE IN INCHES		DRAWN: A. BACA	19DEC12	GENERAL DYNAMICS SATCOM Technologies 3111 Fujita St., Torrance, CA 90505, (310) 539-6704	
TOLERANCES-		CHECKED:			
SURFACE .XX ±.02		ENGRS:			
63 .XXX ±.003		MFG:			
✓ ANGLES±		EAR CONTROLLED:		Ku BAND 2-PORT Rx/Tx, X-POL	
MATERIAL AL CASTING		Export or re-export subject to 15 CFR 700-799.			
FINISH M/N					
		SIZE C	FSCM No. 50478	DRAWING No. 112080-24	REV B
		SCALE: 3:4		SHEET 1	