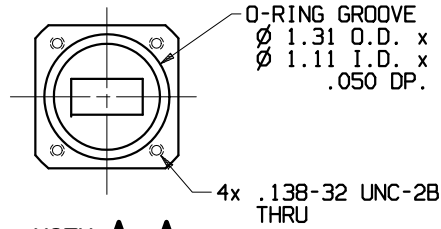


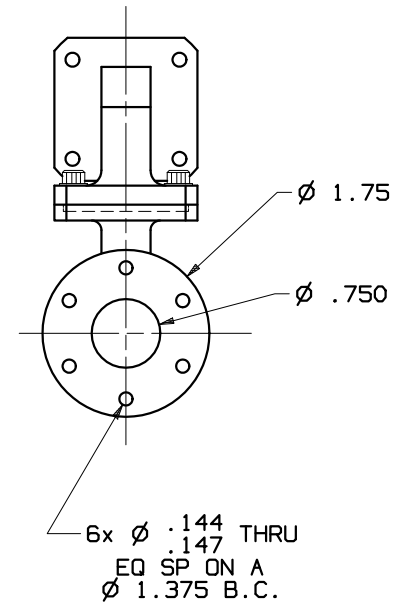
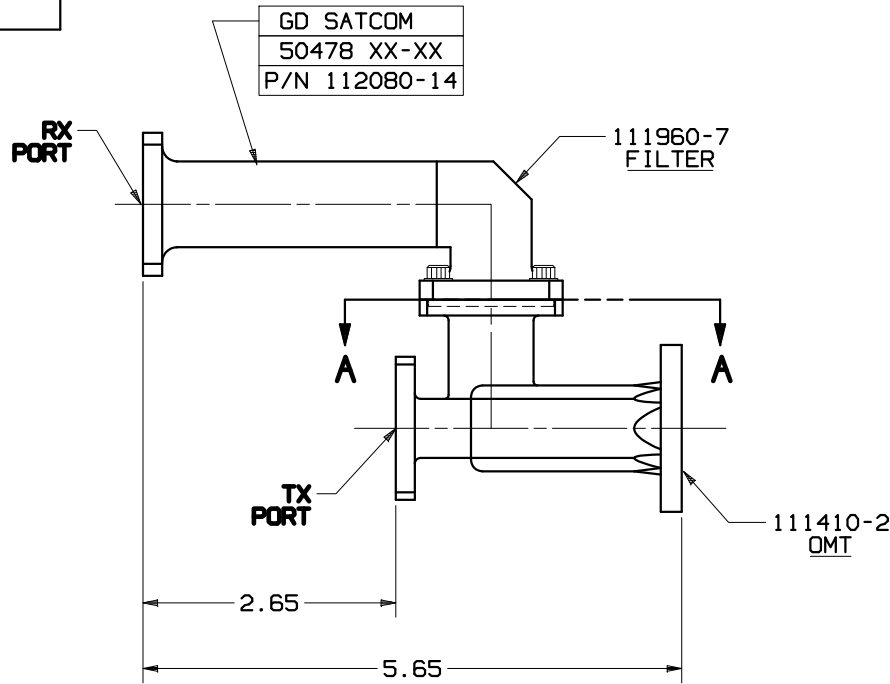
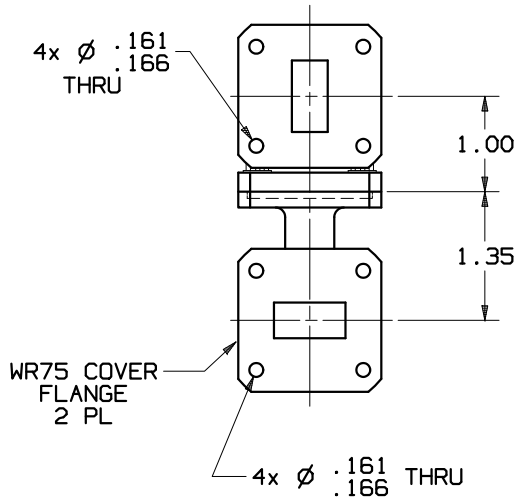
# SPECIFICATIONS

<b>FREQUENCY BAND</b>	RX: 10.70- 12.75 GHz TX: 13.75- 14.50 GHz
<b>INSERTION LOSS</b>	RX: .35 dB MAX TX: .20 dB MAX
<b>VSWR</b>	RX: 1.30:1 MAX TX: 1.30:1 MAX
<b>ISOLATION</b>	TX/RX: 85 dB MIN RX/TX: 35 dB MIN
<b>CROSSPOL</b>	: 35 dB MIN
<b>POWER HANDLING</b>	: 1 KW CW
<b>PRESSURIZATION</b>	: SEALED TO 5.0 PSIG
<b>FINISH</b>	INTERIOR: CHROMATE CONVERSION COATED PER MIL-DTL-5541F TYPE 2 CLASS 1A AND FLANGE FACES: EXTERIOR: WHITE PAINT, COLOR No. 17875 PER FED-STD-595

REVISIONS			
REV	DESCRIPTION	EFFECTIVE DATE	APPROVED BY
A	DR# 10103	4-13-11	M. Lanes



VIEW A-A



NOTES: UNLESS OTHERWISE SPECIFIED.

UNLESS OTHERWISE SPECIFIED DIMENSIONS ARE IN INCHES TOLERANCES- SURFACE .XX ±.01 .XXX ±.002 63 .XXXX ±. ✓ ANGLES± MATERIAL AL CASTING FINISH M/N	SIGNATURES	DATE	GENERAL DYNAMICS PROPRIETARY			
	DRAWN: Tovalin, L	03-24-04	<b>GENERAL DYNAMICS</b> SATCOM Technologies 3111 Fujita St., Torrance, CA 90505, (310) 539-6704			
	CHECKED:	03-24-04				
	ENG:			<b>Ku-BAND</b> <b>2-PORT Rx/Tx, X-POL</b>		
ENG:						
	EAR CONTROLLED: Export or re-export subject to 15 CFR 700-799.		SIZE C	FSCM No. 50478	DWG No. 112080-14	REV A
			SCALE: 1:1		SHEET 1	