

**SPECIFICATIONS**

**FREQUENCY BAND** Rx: 10.70 - 12.75 GHz  
Tx: 13.75 - 14.50 GHz

**INSERTION LOSS** Rx: 0.35 dB MAX  
Tx: 0.20 dB MAX

**VSWR** Rx: 1.30:1 MAX  
Tx: 1.30:1 MAX

**ISOLATION** Rx/Tx: 35 dB MIN  
Tx/Rx: 85 dB MIN

**CROSSPOL** Rx: 35 dB MIN  
Tx: 38 dB MIN

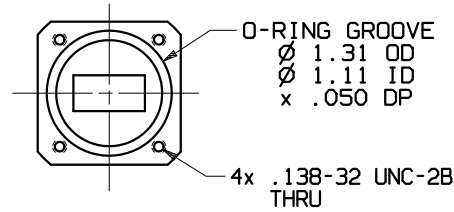
**POWER HANDLING** : 3.0 KW CW

**PRESSURIZATION** : SEALED TO 5.0 PSIG

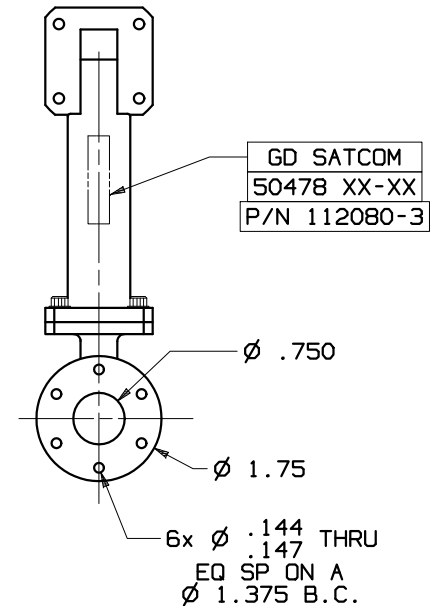
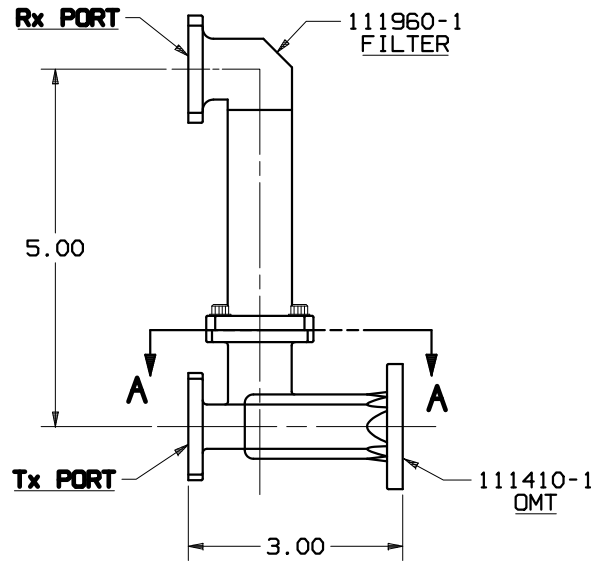
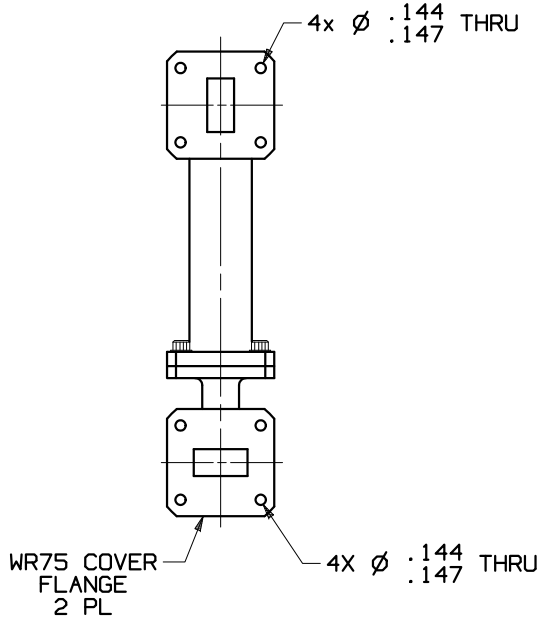
**FINISH**  
FLANGE FACES: CHROMATE CONVERSION COATED PER MIL-DTL-5541F, TYPE II, CLASS 3  
EXTERIOR: WHITE PAINT, COLOR #17875 PER FED-STD-595

**REVISIONS**

REV	DESCRIPTION	DATE	APPROVED
A	SEE REVISION SHT	04-08-99	H.S.



**VIEW A-A**



NOTES: UNLESS OTHERWISE SPECIFIED.

UNLESS OTHERWISE SPECIFIED	APPROVALS	DATE	GENERAL DYNAMICS PROPRIETARY		
INTERPRET DIMENSIONING & TOLERANCING PER ANSI Y14.5M-1982. DIMENSIONS ARE IN INCHES. DIMENSIONS SHOWN IN ( ) ARE FOR REFERENCE ONLY. TOLERANCES ARE: SURFACE- TOLERANCES- .XX ±.01 .XXX ±.002 .XXXX ± ANGLES ±0°30' MATERIAL: ALUMINUM CASTING	DRAWN: H. Lim	01-08-99	<b>GENERAL DYNAMICS</b> SATCOM Technologies 3111 Fujita St., Torrance, CA 90505, (310) 539-6704 <b>Ku BAND 2-PORT</b> <b>Rx/Tx, X-POL</b>		
	CHECKED: H. Spieleder	01-08-99			
	ENGRG:				
	MFG:				
	<b>EAR CONTROLLED:</b>		SIZE	FSCM No.	DWG No.
	Export or re-export subject to 15 CFR 700-799.		C	50478	112080-3
			SCALE: 3:4		SHEET 1