

SPECIFICATIONS

FREQUENCY BAND RX: 10.70- 12.75 GHz
TX: 13.75- 14.50 GHz

INSERTION LOSS RX: .35 dB MAX
TX: .20 dB MAX

VSWR RX: 1.30:1 MAX
TX: 1.30:1 MAX

ISOLATION TX/RX: 85 dB MIN
RX/TX: 35 dB MIN

CROSSPOL : 35 dB MIN

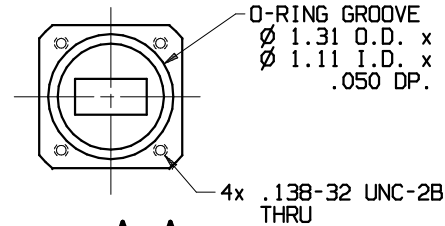
POWER HANDLING : 1 KW CW

PRESSURIZATION : SEALED TO 5.0 PSIG

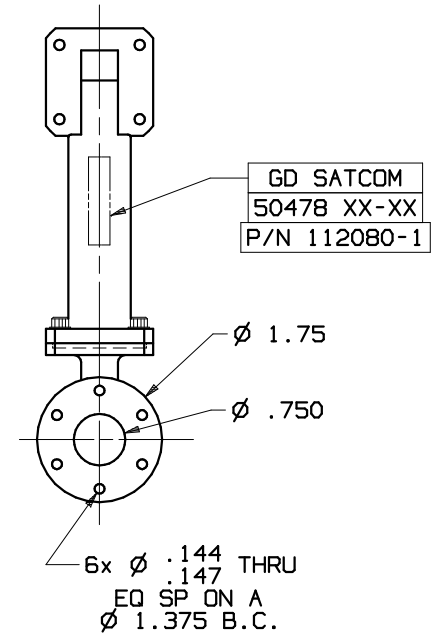
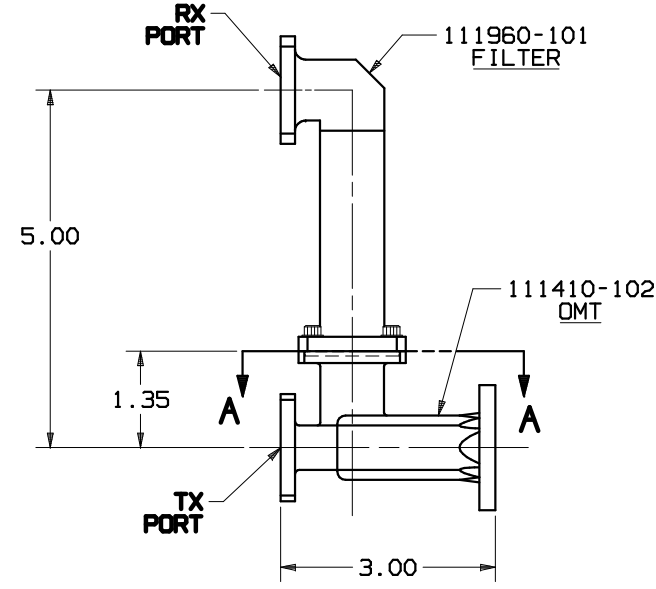
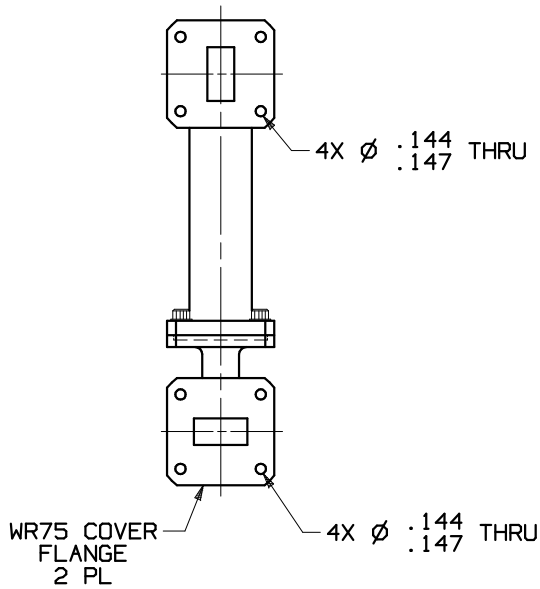
FINISH : CHEMFILMED PER MIL-C-5541 C,
CLASS 1A

REVISIONS

REV	DESCRIPTION	EFFECTIVE DATE	APPROVED BY
C	DR# 10084		
D	SEE EC No 12645		



VIEW A-A



-1 CONFIGURATION

UNLESS OTHERWISE SPECIFIED DIMENSIONS ARE IN INCHES TOLERANCES- SURFACE .XX ±.01 .XXX ±.002 63 .XXXX ±. ✓ ANGLES± MATERIAL AL CASTING FINISH M/N	SIGNATURES DRAWN: H. Lim CHECKED: H. Spieleder ENGRG: MFG:	DATE 01-08-99 01-09-99	GENERAL DYNAMICS PROPRIETARY GENERAL DYNAMICS SATCOM Technologies 3111 Fujita St., Torrance, CA 90505, (310) 539-6704		
	EAR CONTROLLED: Export or re-export subject to 15 CFR 700-799.		Ku BAND 2-PORT Rx/Tx, X-POL		
	SIZE C FSCM No. 50478 DRAWING No. 112080 SCALE: 3:4	REV D	SHEET 1		
	SHEET 1				