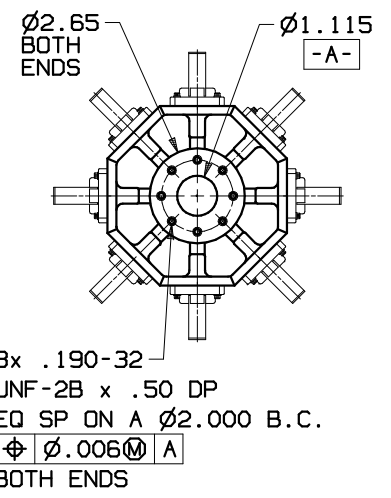
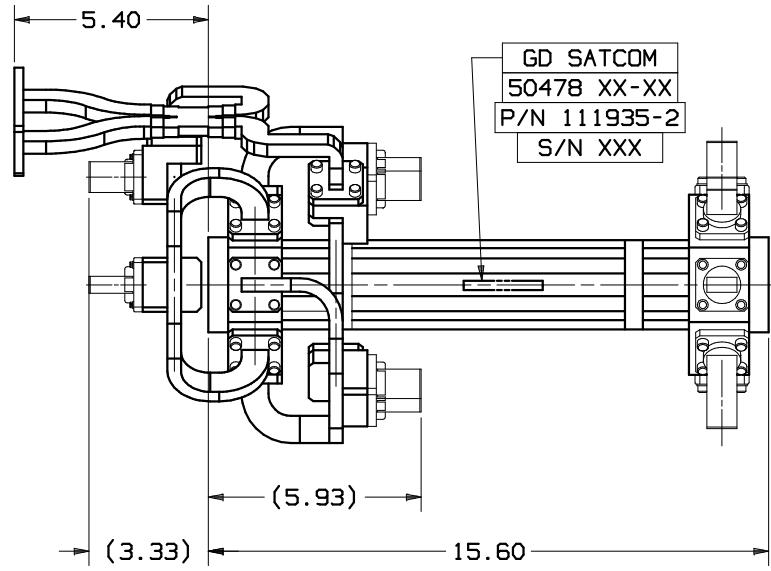
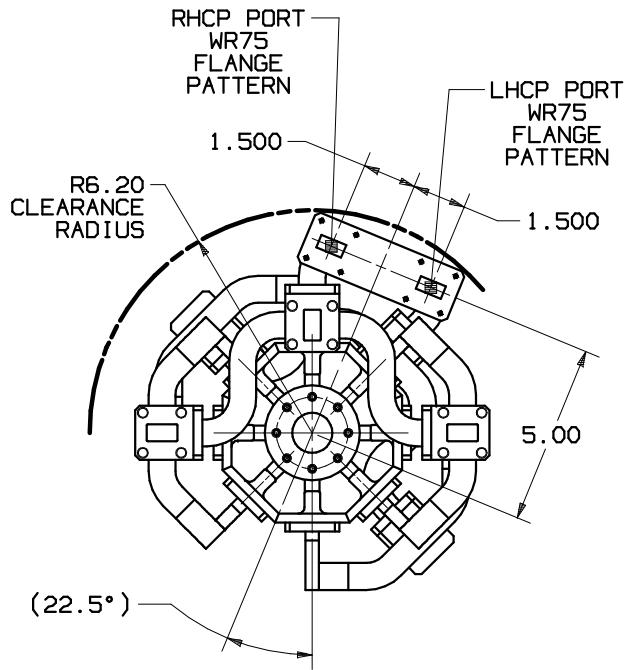


REVISIONS			
REV	DESCRIPTION	EFFECTIVE DATE	APPROVED
B	SEE DR No 11749	06-20-12	H.S.



NOTES: UNLESS OTHERWISE SPECIFIED.

UNLESS OTHERWISE SPECIFIED INTERPRET DIMENSIONING & TOLERANCING PER ANSI Y14.5M-1982. DIMENSIONS ARE IN INCHES. DIMENSIONS SHOWN IN () ARE FOR REFERENCE ONLY. TOLERANCES ARE: SURFACE - TOLERANCES - .XX ±.01 .XXX ±.002 .XXXX ± ANGLES ±0°30' 63 ✓ MATERIAL:	APPROVALS DRAWN: H. Lim CHECKED: H. Spieleder RF-ENG: MFG-ENG: ENG-MGR:	DATE 11-15-00 11-30-00	GENERAL DYNAMICS PROPRIETARY GENERAL DYNAMICS SATCOM Technologies 3111 Fujita St., Torrance, CA 90505, (310) 539-6704		
	EAR CONTROLLED: Export or re-export subject to 15 CFR 700-799.		Ku-BAND TE₂₁ MONOPULSE TRACKING COUPLER		
	SIZE: C SCALE: 3:8	FSCM No: 50478 DWG No: 111935-2	REV: B SHEET: 1		

SPECIFICATIONS

FREQUENCY

TRACKING (DIFFERENCE) CHANNEL: 10.70-12.75 GHz
 DOWNLINK (SUM) CHANNEL: 10.70-12.75 GHz
 UPLINK (SUM) CHANNEL: 13.75-14.50 GHz
 (SUM) CHANNEL: 17.30-18.40 GHz

VSWR

TRACKING OUTPUTS: 1.4:1
 THROUGH LINE: 10.70-12.75 GHz: 1.05:1
 13.75-14.50 GHz: 1.05:1
 17.30-18.40 GHz: 1.05:1

INSERTION LOSS

THROUGH LINE: 10.70-12.75 GHz: 0.1 dB MAX
 13.75-14.50 GHz: 0.1 dB MAX
 17.30-18.40 GHz: 0.1 dB MAX

COUPLING

TE₁₁ MODE TO TRACK CHANNEL: 35 dB OR BETTER
 TE₂₁ MODE TO TRACK CHANNEL: 10 dB NOMINAL

DIFFERENCE CHANNEL NULL DEPTH : 40 dB WITH RESPECT TO SUM CHANNEL PEAK

POWER HANDLING : 10 KW CW

PRESSUARIZATION : SEALED TO 5 PSIG

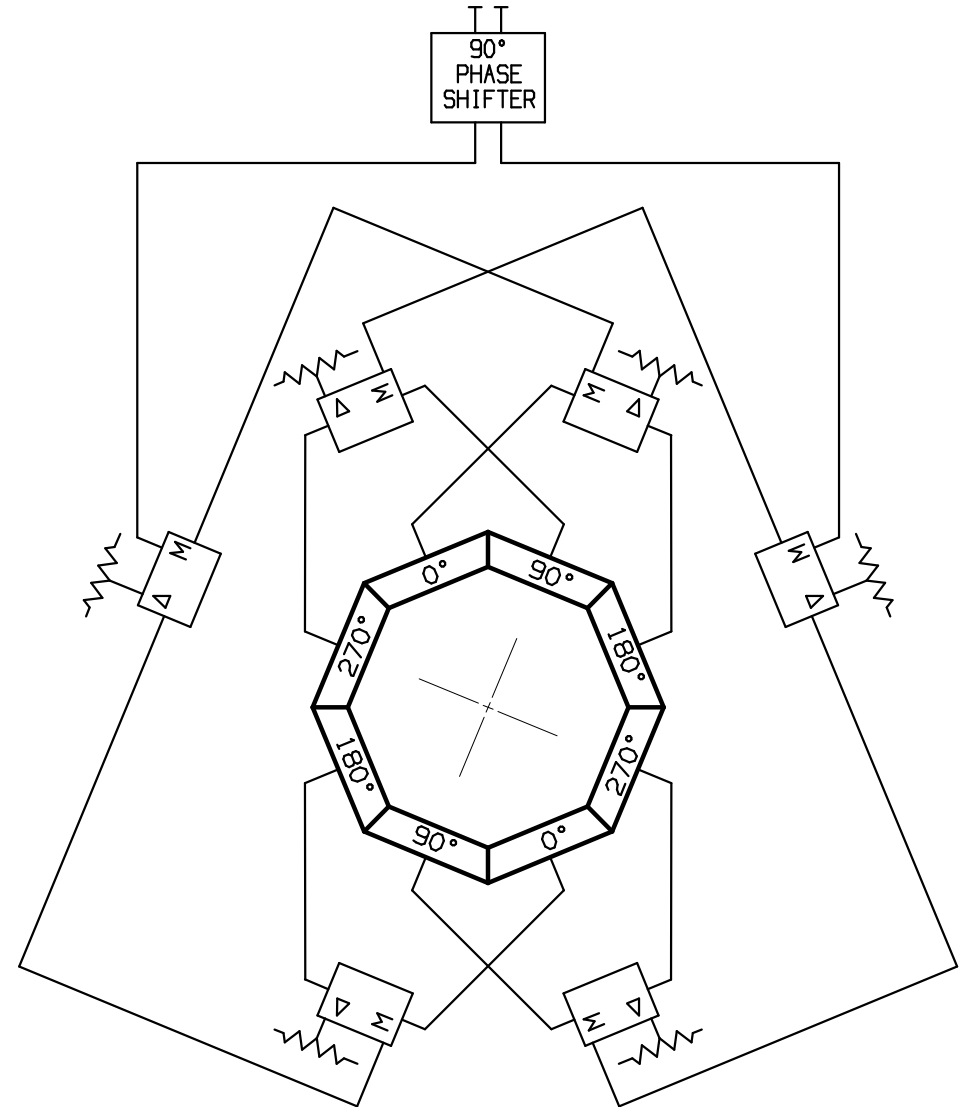
TEMPERATURE RANGE : -40°C TO 60°C

FINISH

EXTERIOR: BLACK PAINT PER PS 107,
 COLOR NO. 37038 PER
 FED-STD-595

FLANGE FACES: ZINC-NICKEL PLATED PER AMS
 2417G, TYPE II, CLASS 2

NOTE: ABOVE SPECIFICATIONS ARE GUARANTEED WHEN COUPLER IS TESTED WITH A LABORATORY LOAD OR A FEED HORN WITH A RETURN LOSS OF 26 dB OR BETTER.



BLOCK DIAGRAM

SIZE	FSCM No	DWG No	111935-2	REV
C	50478			B
SCALE:	X:X		SHEET	2