

SPECIFICATIONS

FREQUENCY BAND RX: 10.70 - 12.75 GHz
TX: 13.75 - 14.50 GHz

INSERTION LOSS RX: .10 dB MAX
TX: .10 dB MAX

VSWR RX: 1.2:1 MAX
TX: 1.2:1 MAX

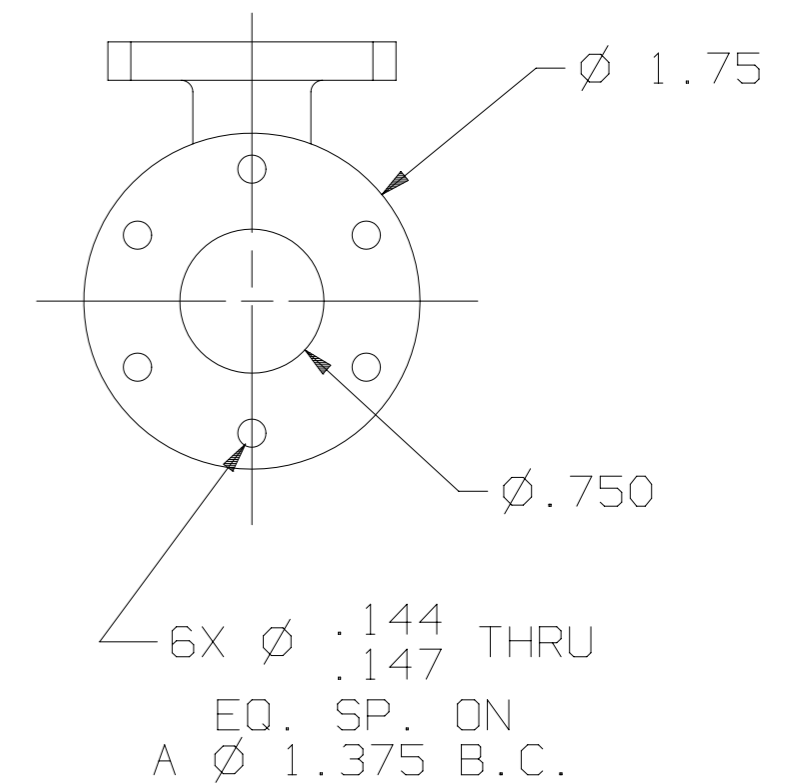
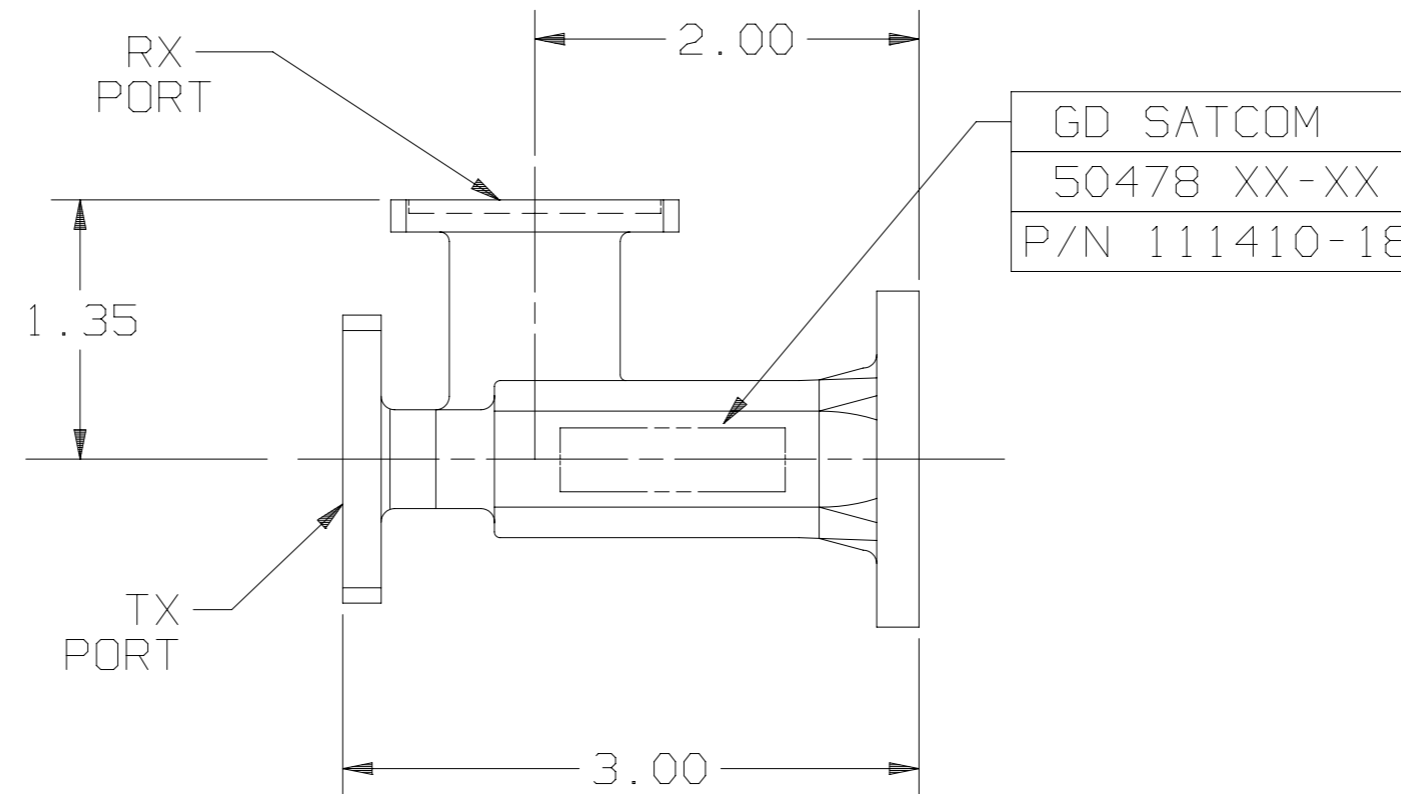
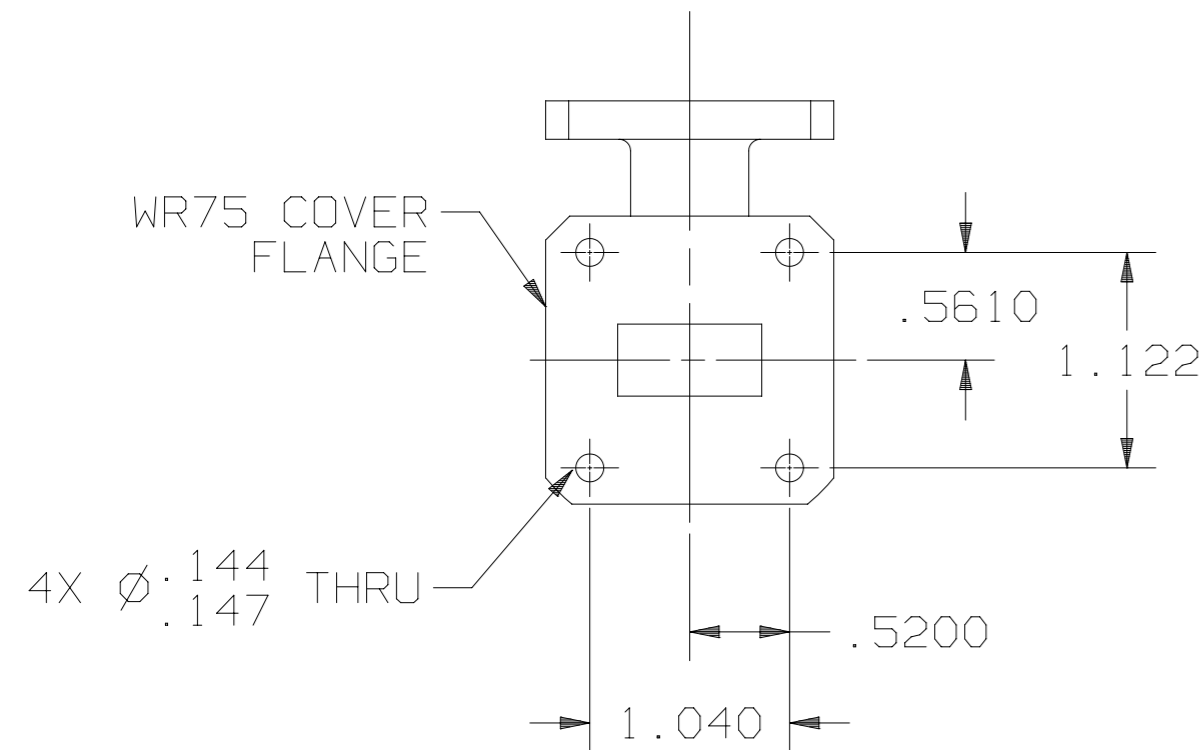
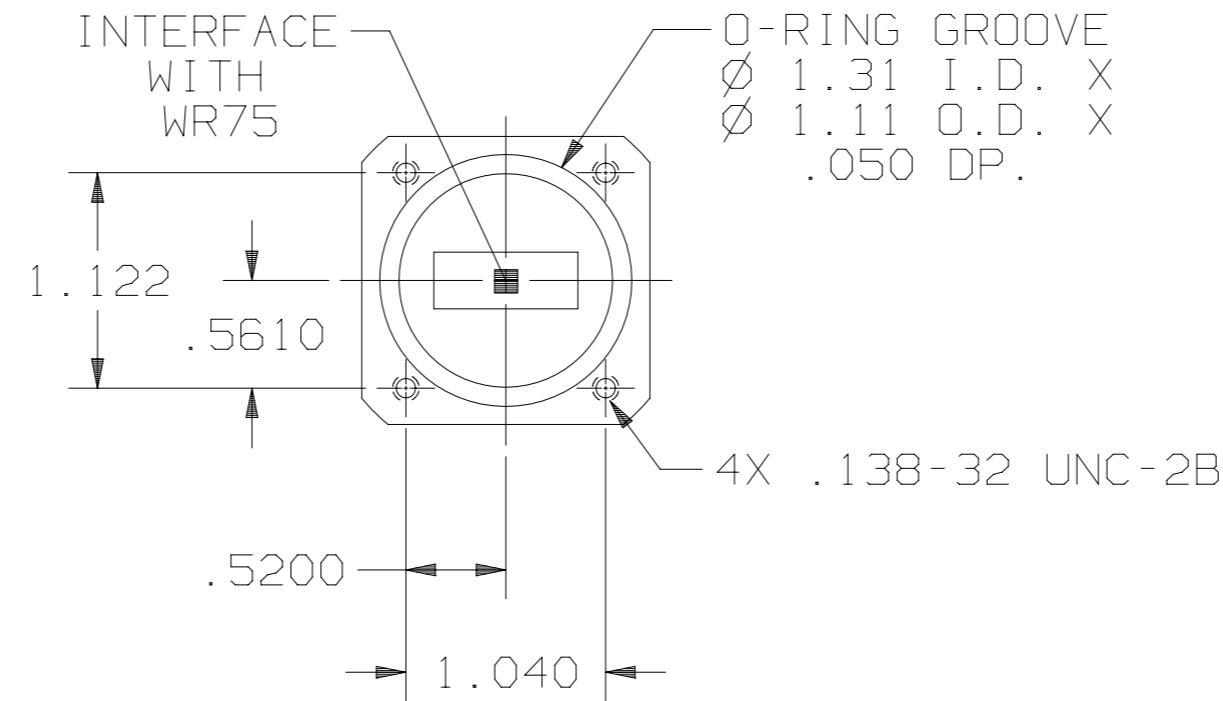
CROSSPOL: 35 dB MIN

POWER HANDLING: 3 KW CW

PRESSURIZATION: SEALED TO 5 PSIG

FINISH:
INTERIOR AND
FLANGE FACES: CHEM FILMED PER
MIL-C-5541, CLASS 1A
EXTERIOR: PAINT BLACK COLOR #37038
PER FED-STD-595

REVISIONS			
REV	DESCRIPTION	DATE	APPROVED
-	INITIAL RELEASE	09-04-07	



UNLESS OTHERWISE SPECIFIED DIMENSIONS ARE IN INCHES TOLERANCES- SURFACE .XX ±.01 .XXX ±.003 63 ✓ .XXXX ±.0015 ANGLES±	SIGNATURES	DATE
	DRAWN: C.G.ORTEGA	09-04-07
	CHECKED:	
	ENGRG:	
MATERIAL: AL CASTING	EAR CONTROLLED: Export or re-export subject to 15 CFR 700-799.	
FINISH:		

GENERAL DYNAMICS PROPRIETARY			
GENERAL DYNAMICS			
SATCOM Technologies			
3111 Fujita St., Torrance, CA 90505, (310) 539-6704			
Ku-BAND OMT			
SIZE	FSCM NO.	DWG No.	REV
C	50478	111410-18	-
SCALE: 1:1			SHEET 1 of 1