

SPECIFICATIONS

REVISIONS

FREQUENCY BAND RX: 10.70 - 12.75 GHz  
TX: 13.75 - 14.50 GHz

INSERTION LOSS RX: .10 dB MAX  
TX: .10 dB MAX

VSWR RX: 1.2:1 MAX  
TX: 1.2:1 MAX

CROSSPOL: 40 dB MIN (ON AXIS)

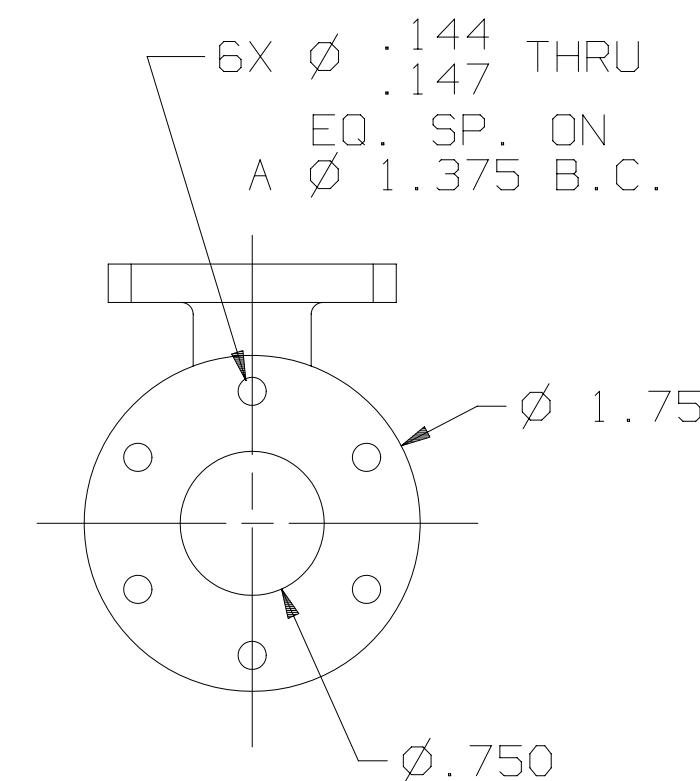
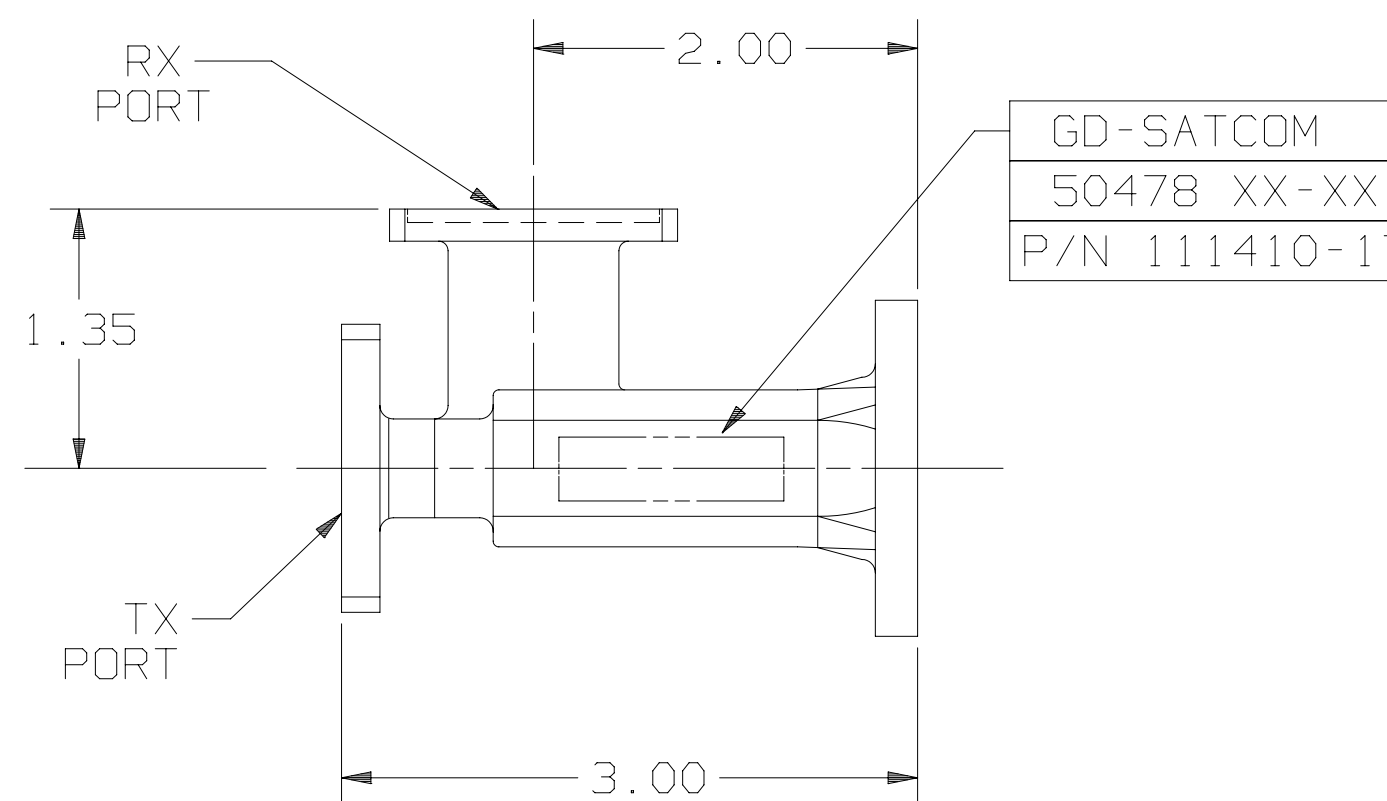
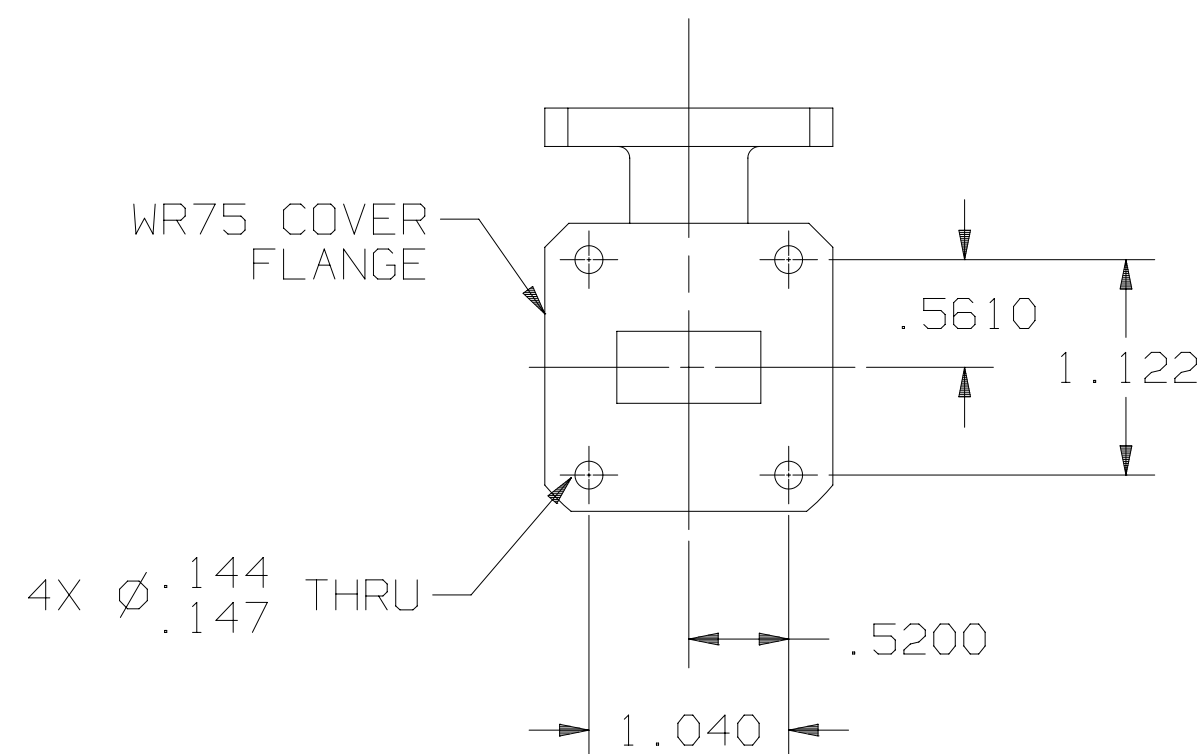
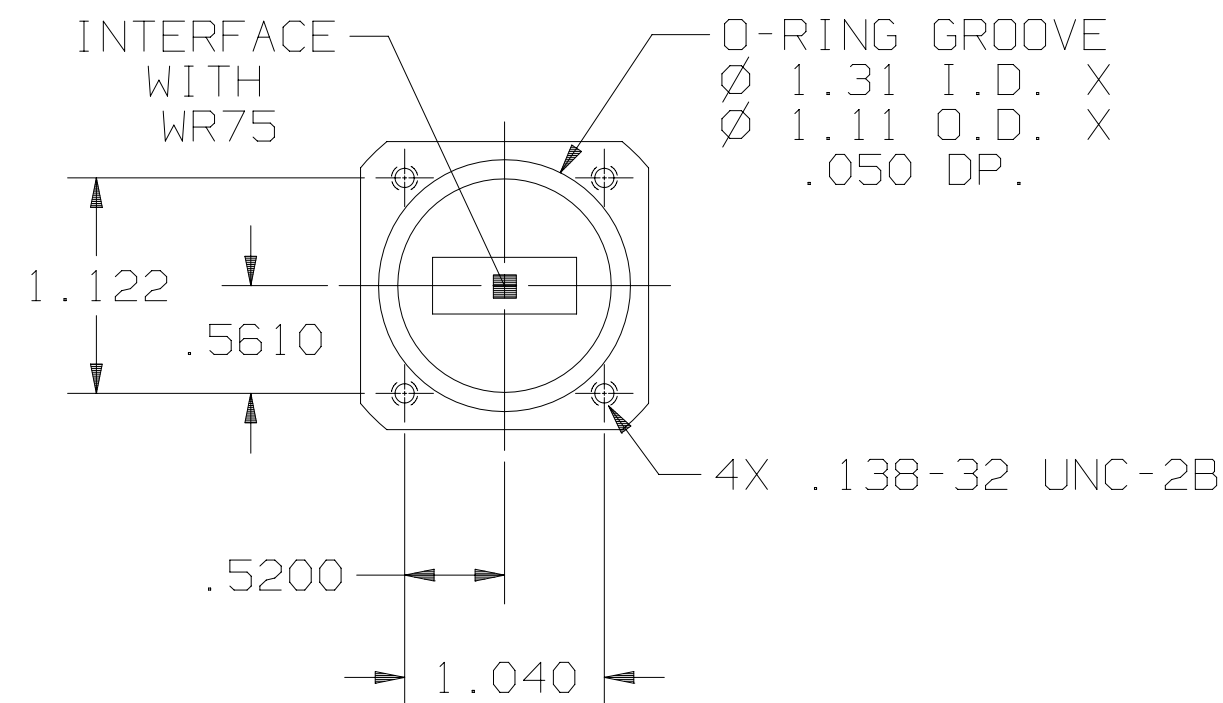
POWER HANDLING: 3 KW CW

PRESSURIZATION: SEALED TO 5.0 PSIG

FINISH

INTERIOR AND FLANGE FACES: CHROMATE CONVERSION COATED PER MIL-DTL-5541F, TYPE II, CLASS 1A  
EXTERIOR: PAINT WHITE COLOR #17875 PER FED-STD-595

REV	DESCRIPTION	DATE	APPROVED
A	SEE ECN #2105	01-30-09	H.S.



NOTES: UNLESS OTHERWISE SPECIFIED.

UNLESS OTHERWISE SPECIFIED INTERPRET DIMENSIONING & TOLERANCING PER ANSI Y14.5M-1982. DIMENSIONS ARE IN INCHES. DIMENSIONS SHOWN IN ( ) ARE FOR REFERENCE ONLY. TOLERANCES ARE:  SURFACE- .XX ±.01 .XXX ±.003 .XXXX ±.0015 ANGLES ±0°30'  MATERIAL: CAST ALUMINUM	APPROVALS	DATE	GENERAL DYNAMICS PROPRIETARY			
	DRAWN: C.G. ORTEGA	11-09-05	GENERAL DYNAMICS SATCOM Technologies 3111 Fujita St., Torrance, CA 90505, (310) 539-6704			
	CHECKED: H. Spieleder	11-09-05				
	ENGRG:			Ku-BAND OMT		
MFG:						
	DA:		SIZE	FSCM No.	DWG No.	REV
	EAR CONTROLLED:		C	50478	111410-17	A
	Export or re-export subject to 15 CFR 700-799.		SCALE: 1:1		SHEET	1