

# SPECIFICATIONS

**FREQUENCY BAND** RX: 10.70 - 12.75 GHz  
TX: 13.75 - 14.50 GHz

**INSERTION LOSS** RX: .10 dB MAX  
TX: .10 dB MAX

**VSWR** RX: 1.2:1 MAX  
TX: 1.2:1 MAX

**CROSSPOL** : 35 dB MIN

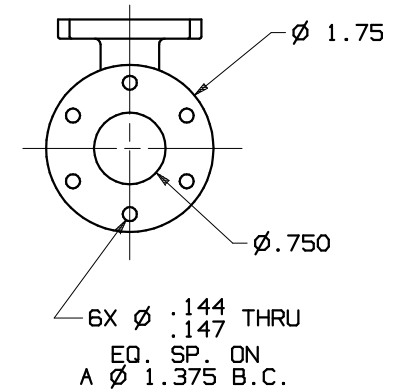
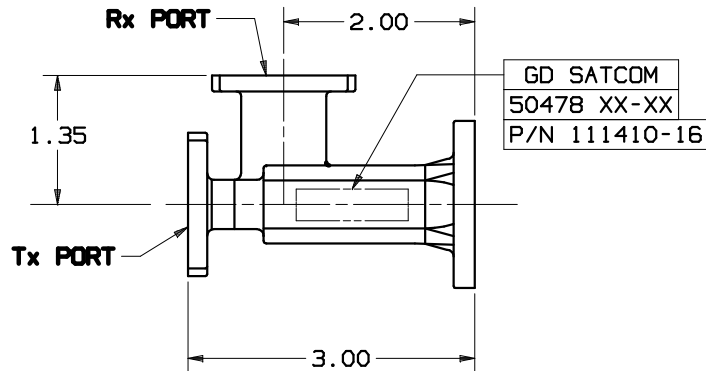
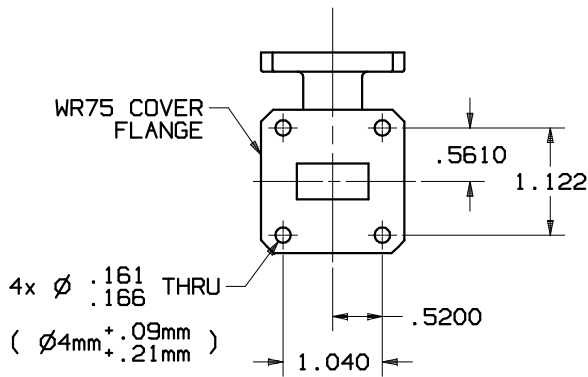
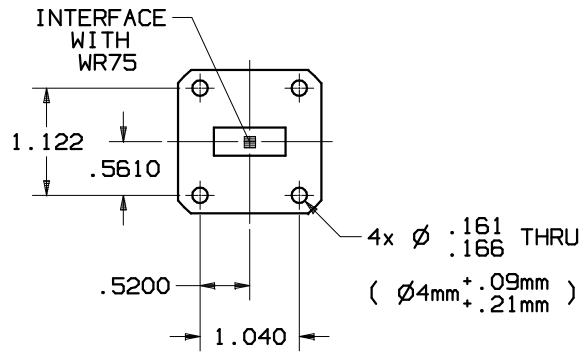
**PORT TO PORT** RX: 35 dB MIN  
TX: 35 dB MIN

**POWER HANDLING:** 3 KW CW

**PRESSURIZATION:** SEALED TO 5 PSIG

**FINISH:**  
INTERIOR AND FLANGE FACES: CHROMATE CONVERSION COATED PER MIL-DTL-5541F, TYPE II, CLASS 1A  
EXTERIOR: PAINT WHITE COLOR #17875 PER FED-STD-595

REVISIONS			
REV	DESCRIPTION	DATE	APPROVED
-	INITIAL RELEASE	04-10-12	H.S.



NOTES: UNLESS OTHERWISE SPECIFIED.

UNLESS OTHERWISE SPECIFIED INTERPRET DIMENSIONING & TOLERANCING PER ANSI Y14.5M-1982. DIMENSIONS ARE IN INCHES; DIMENSIONS SHOWN IN ( ) ARE FOR REFERENCE ONLY. TOLERANCES ARE:  SURFACE - TOLERANCES - .XX $\pm$ .01 .XXX $\pm$ .003 .XXXX $\pm$ .0003 ANGLES $\pm$ 0°30'	APPROVALS C. Ortego	DATE 10-11-05	GENERAL DYNAMICS PROPRIETARY			
	CHECKED: H. Spieleder	10-11-05	<b>GENERAL DYNAMICS</b> SATCOM Technologies 3111 Fujita St., Torrance, CA 90505, (310) 539-6704			
	RF-ENG: MFG-ENG: ENG-MGR:	EAR CONTROLLED: Export or re-export subject to 15 CFR 700-799.		<b>Ku-BAND OMT</b>		
	MATERIAL: AL CASTING	SIZE C 50478	DWG No 111410-16	REV -	SCALE: 1:1	SHEET 1