

SPECIFICATIONS

FREQUENCY BAND RX: 10.70 - 12.75 GHz
TX: 13.75 - 14.50 GHz

INSERTION LOSS RX: .10 dB MAX
TX: .10 dB MAX

VSWR RX: 1.2:1 MAX
TX: 1.2:1 MAX

CROSSPOL : 35 dB MIN

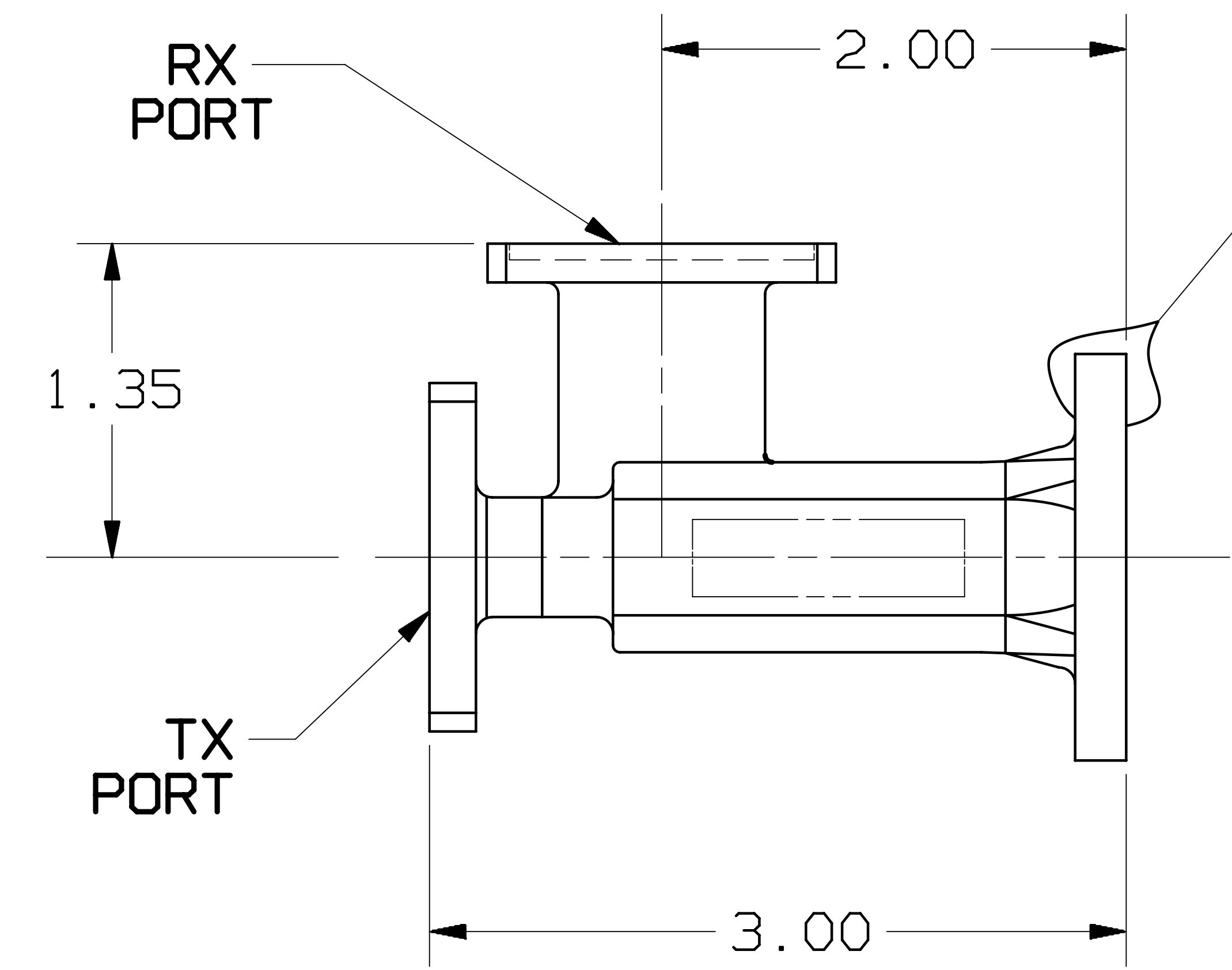
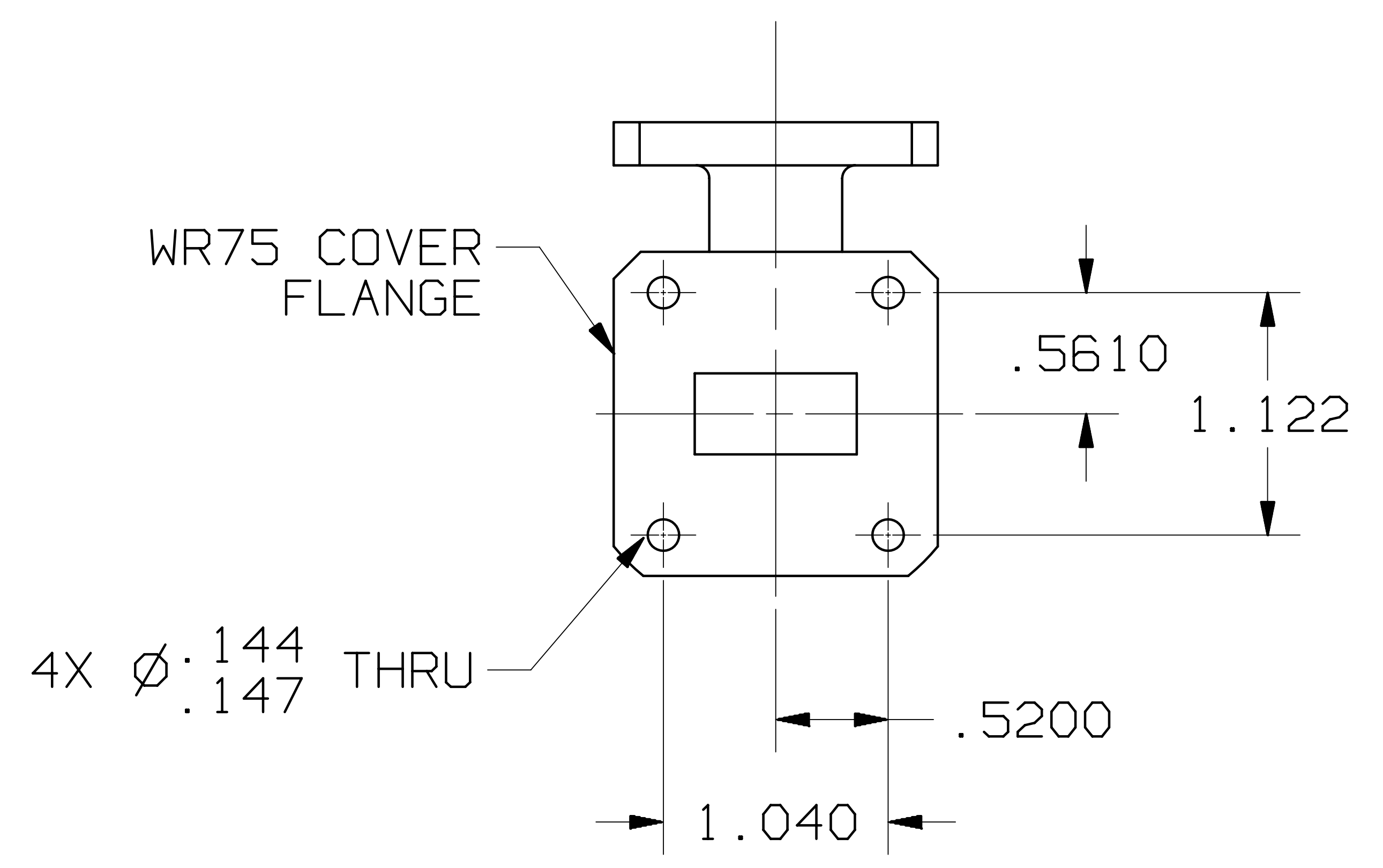
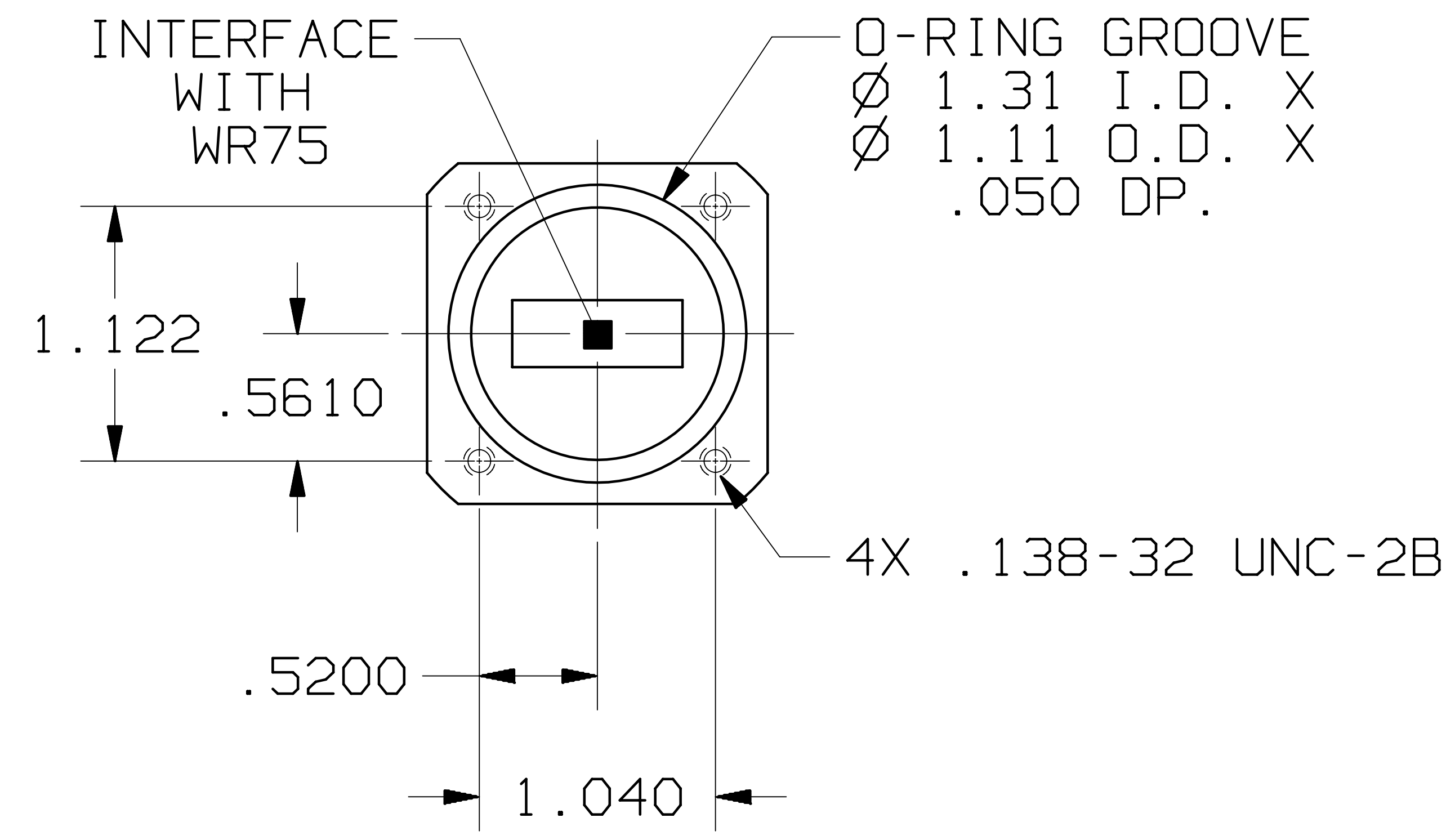
ISOLATION
(PORT TO PORT) RX: 35 dB MIN
TX: 35 dB MIN

POWER HANDLING: 3 KW CW

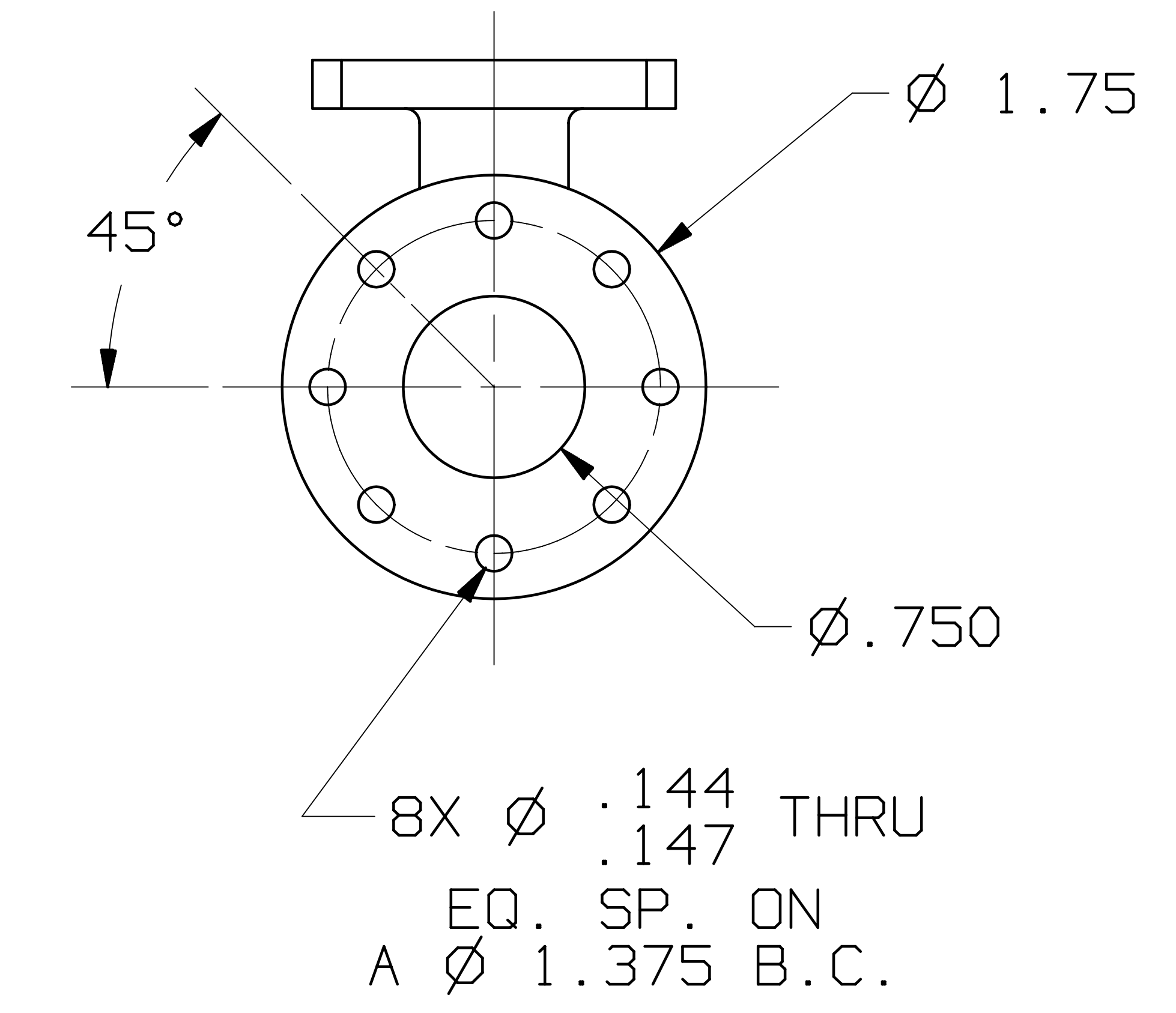
PRESSURIZATION: SEALED TO 5 PSIG

FINISH: CHEM FILMED PER MIL-C-5541, CLASS 1A

REVISIONS			
REV	DESCRIPTION	DATE	APPROVED
-	INITIAL RELEASE	01-19-00	



GD SATCOM
 50478 XX-XX
 P/N 111410-8



NOTES: UNLESS OTHERWISE SPECIFIED.

UNLESS OTHERWISE SPECIFIED DIMENSIONS ARE IN INCHES TOLERANCES- SURFACE .XX ±.01 .XXX ±.003 .XXXX ±.0015 ANGLE± 63 ✓	SIGNATURES	DATE
	L TOVALIN	01-19-00
	CHECKED:	01-19-00
	ENGRG:	
MATERIAL: AL CASTING	EAR CONTROLLED: Export or re-export subject to 15 CFR 700-799.	ENGRG:
FINISH:		MFG:

GENERAL DYNAMICS PROPRIETARY			
GENERAL DYNAMICS			
SATCOM Technologies			
3111 Fujita St., Torrance, CA 90505, (310) 539-6704			
Ku-BAND OMT			
SIZE	FSCM NO.	DWG NO.	REV
C	50478	111410-8	-
SCALE: 1:1	SHEET 1 of 1		