

SPECIFICATIONS

FREQUENCY BAND RX: 10.70 - 12.75 GHz
TX: 13.75 - 14.50 GHz

INSERTION LOSS RX: .10 dB MAX
TX: .10 dB MAX

VSWR RX: 1.2:1 MAX
TX: 1.2:1 MAX

CROSSPOL: 35 dB MIN

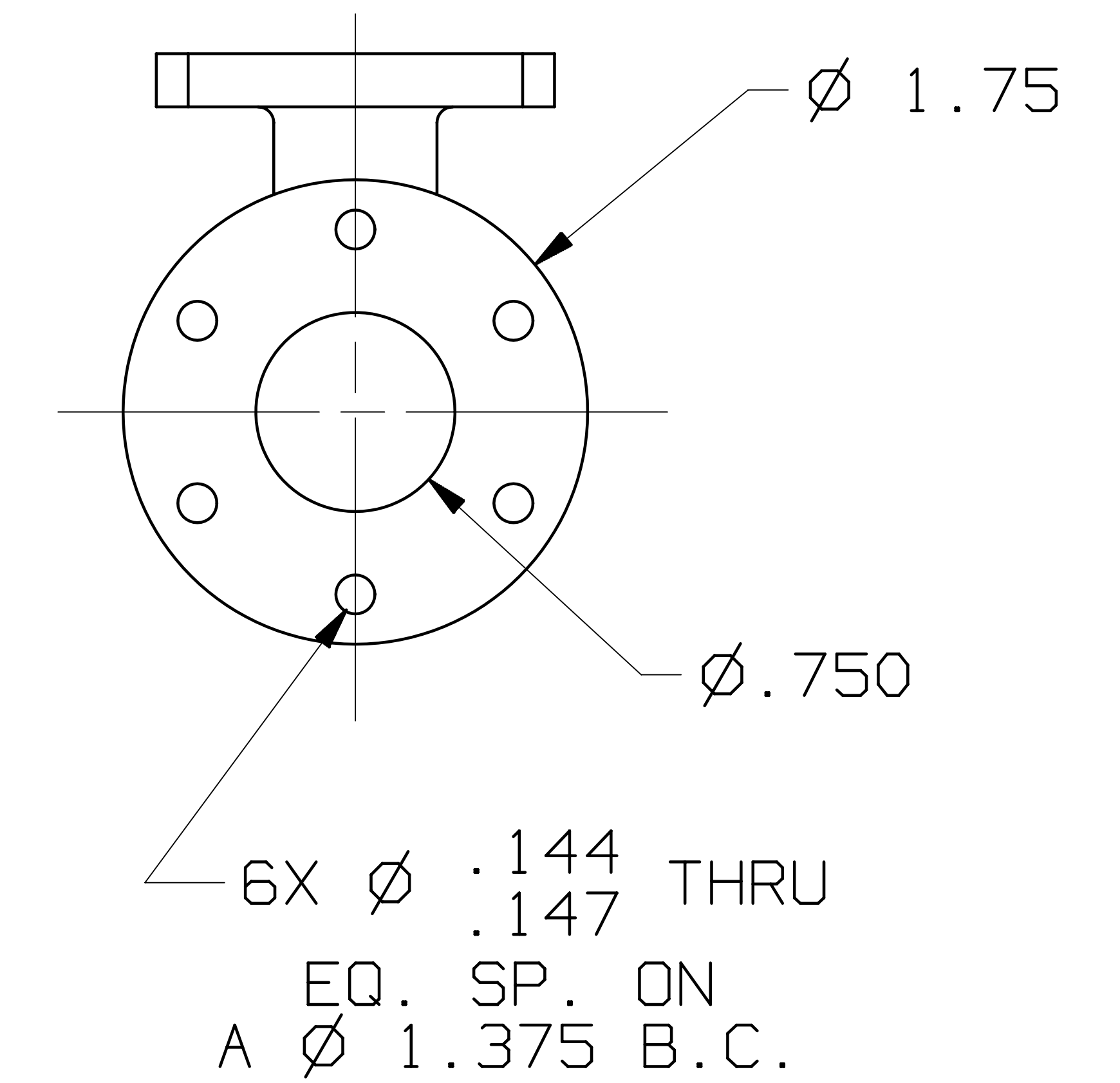
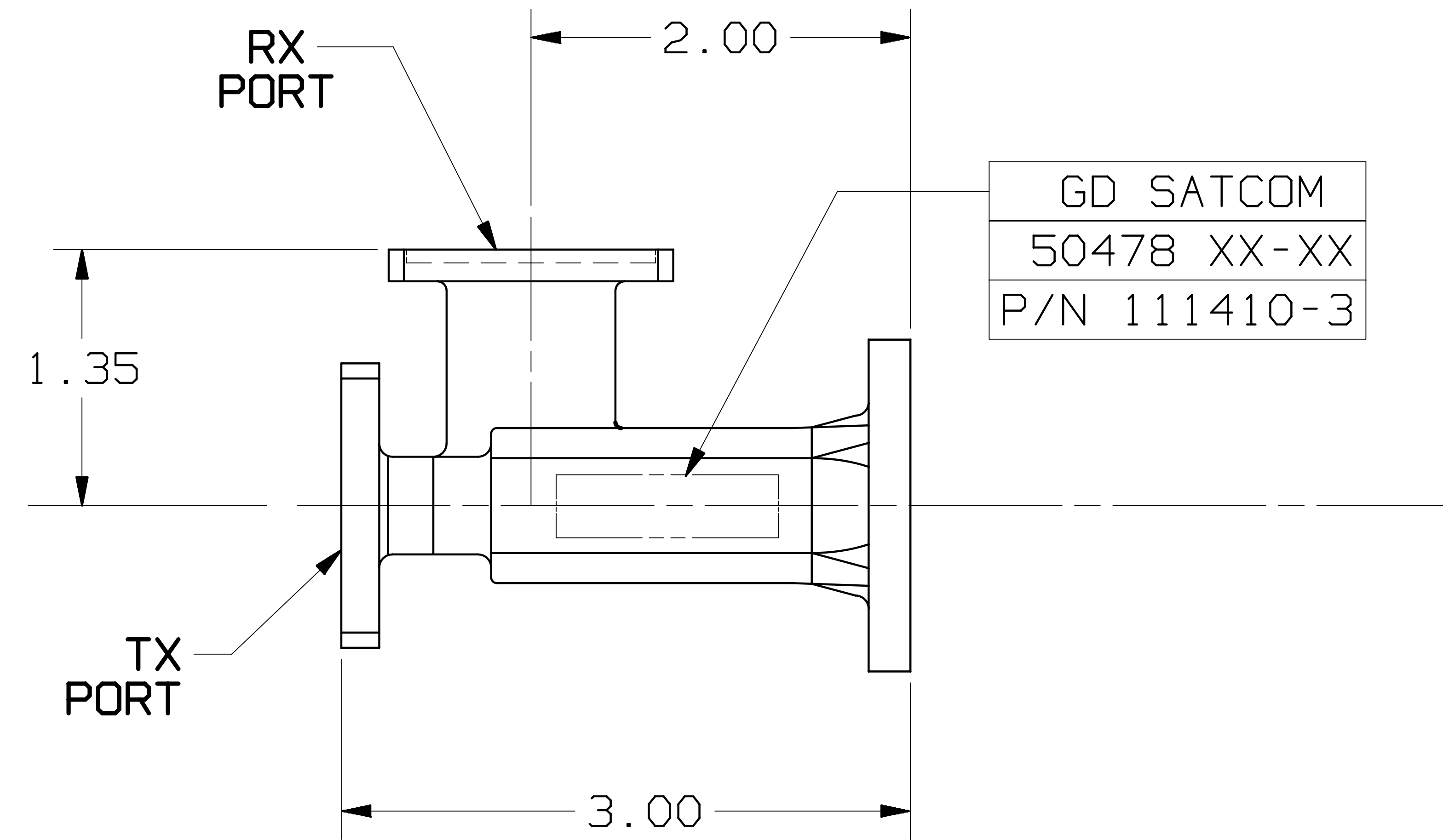
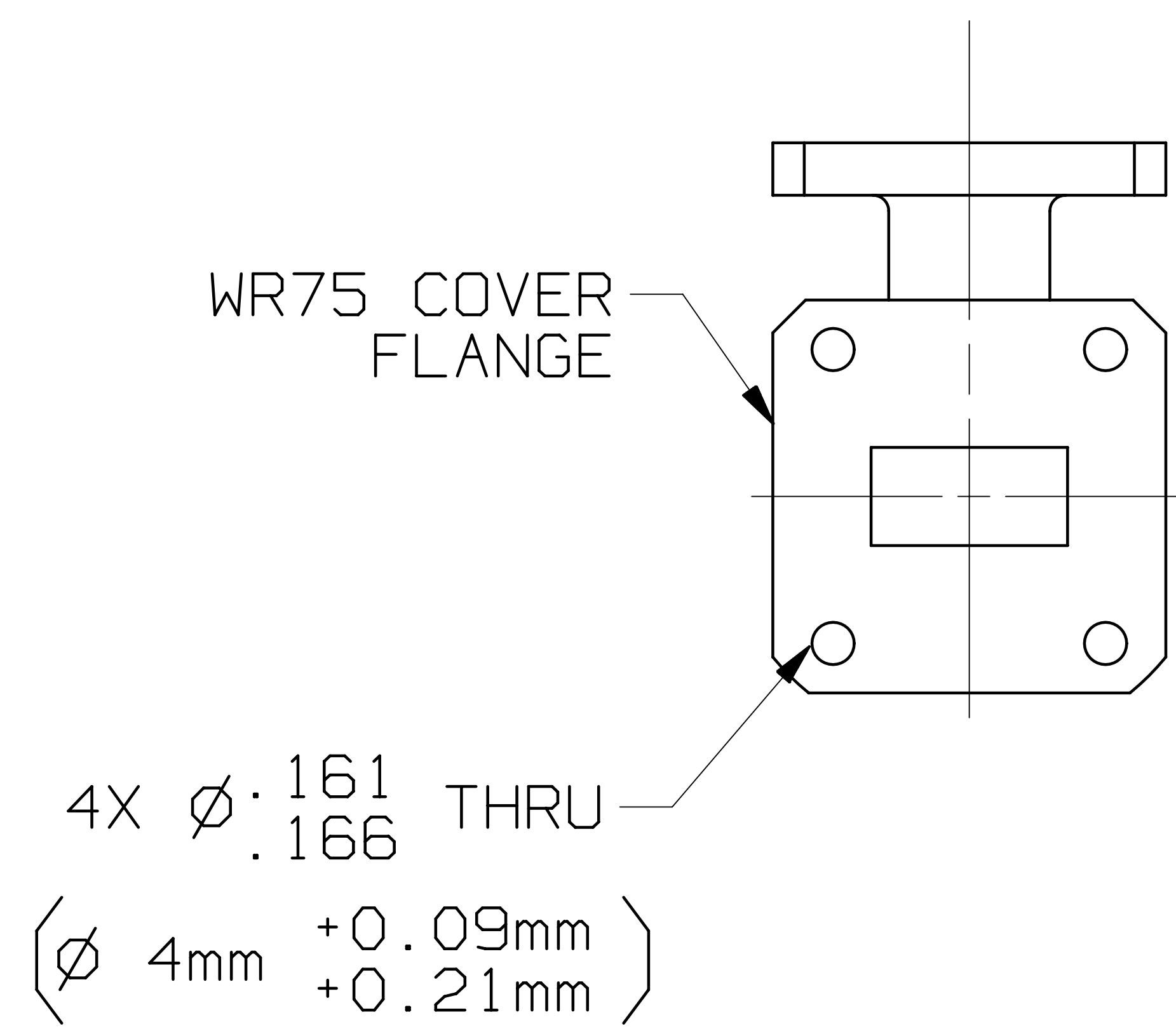
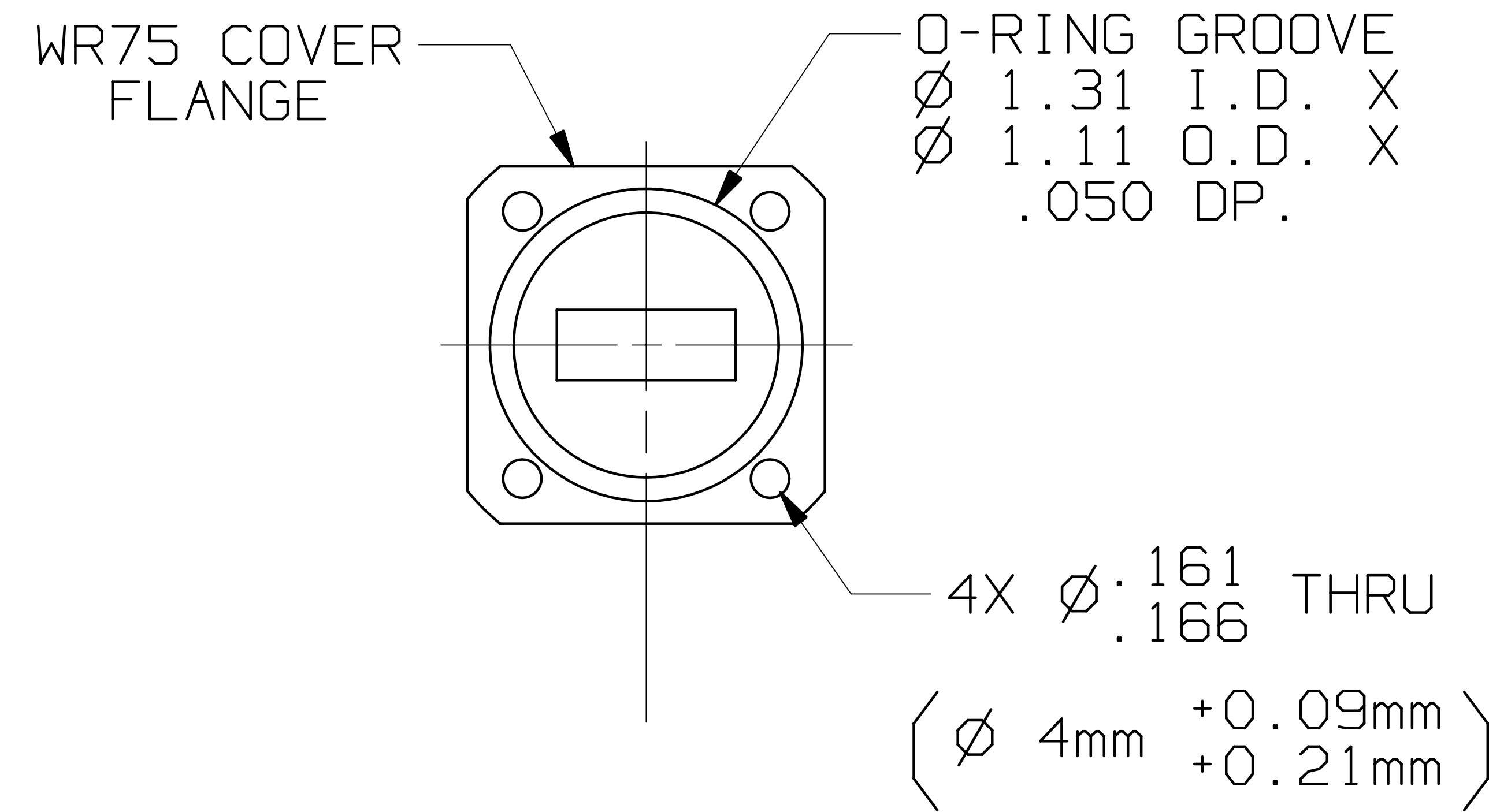
POWER HANDLING: 3 KW CW

PRESSURIZATION: SEALED TO 5 PSIG

FINISH: CHEM FILMED
(MIL-DTL-5541, CL 1A)

REVISIONS

REV	DESCRIPTION	DATE	APPROVED
-	INITIAL RELEASE		



UNLESS OTHERWISE SPECIFIED		SIGNATURES		DATE		GENERAL DYNAMICS PROPRIETARY				
DIMENSIONS ARE IN INCHES		DRAWN: L TOVALIN		04-26-99		GENERAL DYNAMICS SATCOM Technologies 3111 Fujita St., Torrance, CA 90505, (310) 539-6704				
TOLERANCES-		CHECKED:								
SURFACE .XX \pm .01		ENGRG:								
.XXX \pm .003		ENGRG:								
63 ✓ ANGLES \pm		MFG:				Ku-BAND OMT				
MATERIAL: AL CASTING										
FINISH:						SIZE	FSCM NO.	DRAWING NO.		111410-3
						C	50478			
						SCALE: 1:1				SHEET 1 of 1