

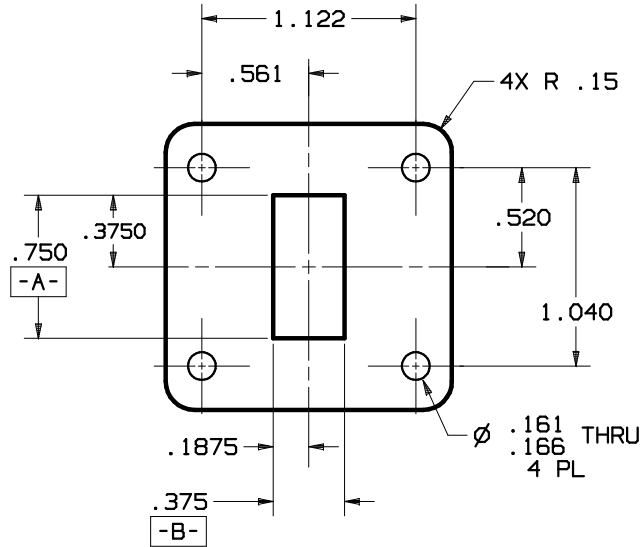
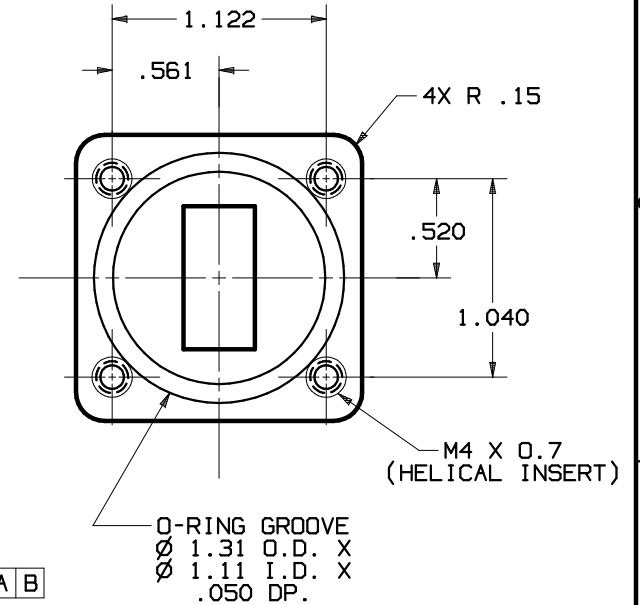
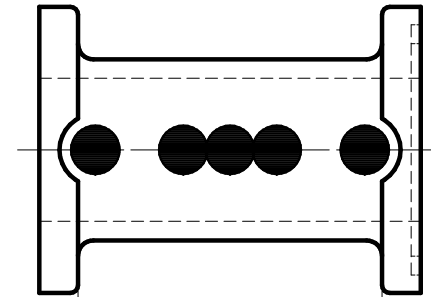
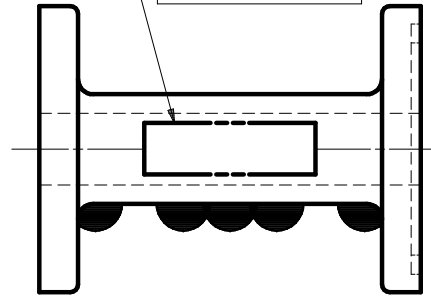
# SPECIFICATIONS

**FREQUENCY BAND:** 13.75 - 14.50 GHz  
**INSERTION LOSS:** 0.20 dB MAX  
**VSWR :** 1.20:1 MAX  
**ISOLATION :** 30 dB MIN AT 10.7-12.75 GHz AND  
 20 dB MIN AT 13.05 GHz  
**PRESSURIZATION:** SEALED TO 5.0 PSIG  
**FINISH :** CHEM FILMED PER MIL-C-5541C,  
 CLASS 1A

## REVISIONS

REV	DESCRIPTION	DATE	APPROVED
C	SEE ECN# 1619	11-13-07	

GD SATCOM  
 50478 XX-XX  
 P/N 110344-1



.20  
 2.00±.04  
 .001  
 .003 A B

.20  
 .001  
 .003 A B

## -1 CONFIGURATION

UNLESS OTHERWISE SPECIFIED DIMENSIONS ARE IN INCHES TOLERANCES- SURFACE .XX ±.02 .XXX ±.002 .XXXX ±.0010 ANGLES± 63 MATERIAL: CAST ALUMINUM FINISH	SIGNATURES DRAWN: L. TOVALIN CHECKED: HANS S. ENGRG: MFG:	DATE 04-04-95 04-04-95	GENERAL DYNAMICS PROPRIETARY <b>GENERAL DYNAMICS</b> SATCOM Technologies 3111 Fujita St., Torrance, CA 90505, (310) 539-6704		
	EAR CONTROLLED: Export or re-export subject to 15 CFR 700-799.		<b>Ku-BAND FILTER</b>		
	SIZE C	FSCM NO. 50478	DWG NO. 110344-1	REV C	SHEET 1 of 1
	SCALE: 4/1				