

SPECIFICATIONS

FREQUENCY BAND Rx: 10.70 - 11.75 GHz
Tx: 12.75 - 14.50 GHz

INSERTION LOSS Rx: 0.35 dB MAX
Tx: 0.35 dB MAX

VSWR Rx: 1.25:1 MAX
Tx: 1.25:1 MAX

ISOLATION Tx/Rx: 115 dB MIN
Rx/Tx: 70 dB MIN
Tx/Tx: 35 dB MIN
Rx/Rx: 35 dB MIN

CROSSPOL : 35 dB MIN

POWER HANDLING : 6 KW CW (3KW PER TxPORT)

APPROXIMATE HEAT DISSIPATION : 355 W AT 6 KW CW

PRESSURIZATION : SEALED TO 5.0 PSIG

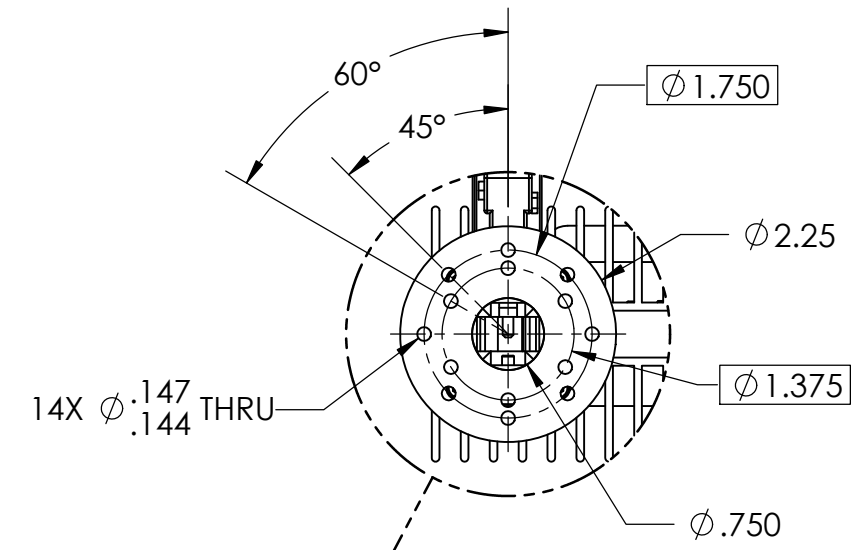
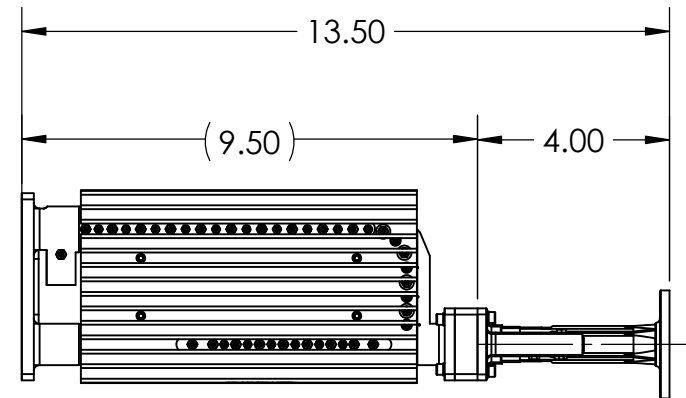
FINISH
COMMON PORT : CHROMATE CONVERSION COATED
(PER MIL-DTL-5541F, TYPE II, CLASS 1A)

Tx & Rx PORTS : ZINC-NICKEL PLATED
(PER AMS 2417G, TYPE II, CLASS 2)

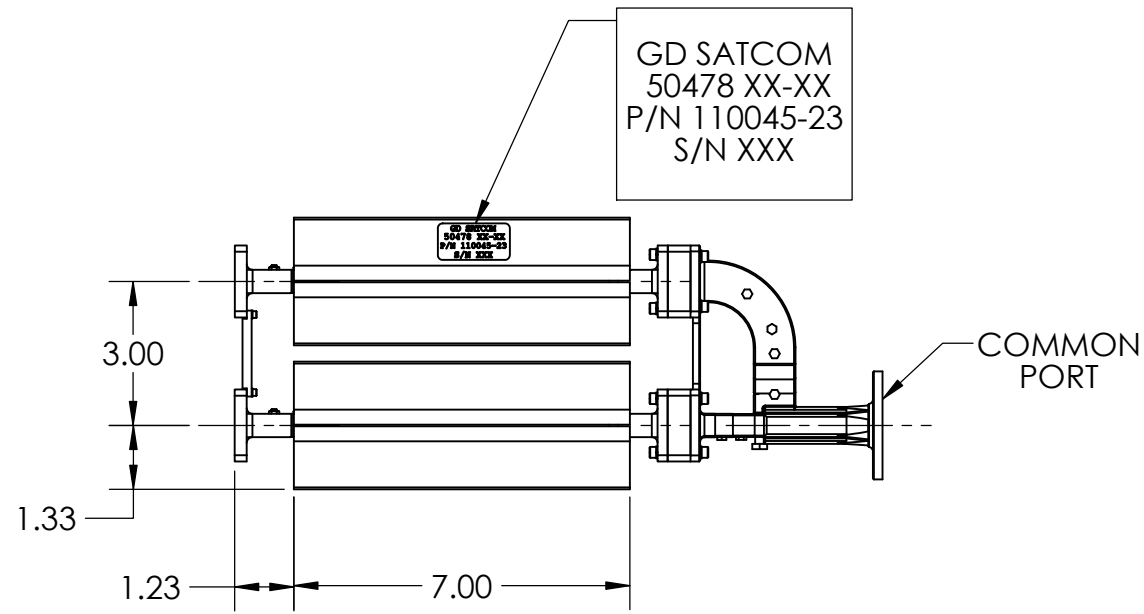
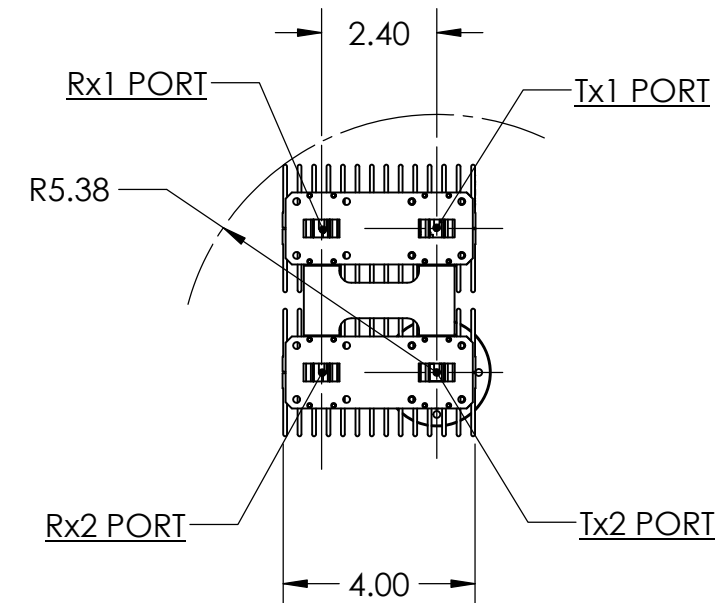
EXTERIOR : BLACK PAINT, COLOR N_o 37038
PER FED-STD-595

REVISIONS

ZONE	REV.	DESCRIPTION	DATE	APPROVED
	A	INITIAL RELEASE	1/23/2014	



DETAIL A
SCALE 1 : 2



DO NOT SCALE DRAWINGS		APPROVALS		DATE		GENERAL DYNAMICS PROPRIETARY GENERAL DYNAMICS SATCOM Technologies 3111 Fujita Street, Torrance CA 90505, (310) 539-6704	
UNLESS OTHERWISE SPECIFIED, INTERPRET DIMENSIONING & TOLERANCING PER ANSI/ASME Y14.5M-2009. DIMENSIONS ARE IN INCHES. DIMENSIONS SHOWN IN () ARE FOR REFERENCE ONLY. TOLERANCES: TWO PLACE DECIMAL ± .01 THREE PLACE DECIMAL ± .002 FOUR PLACE DECIMAL ± .0010 ANGLES ± 0°30'		DRAWN: TOVALIN CHECKED: RF DESIGN: MFG: QA: ENG MGR: PROJECT:		01-23-14			
THIRD ANGLE PROJECTION		EAR CONTROLLED		MATERIAL		TITLE: Ku-BAND 4-PORT DIPLEXER, LINEAR POLARIZED	
Export or re-export subject to 15 CFR 700 - 799		SCALE: 1:4		CAGE CODE 50478		DWG N _o 110045-23	
		WEIGHT: LB		SHEET 1 of 2		REV A	

NOTES: UNLESS OTHERWISE SPECIFIED.