

ELECTRICAL SPECIFICATIONS

FREQUENCY BAND RX: 10.7 - 11.7 GHz
TX: 12.75 - 14.5 GHz

INSERTION LOSS RX: .35 dB MAX
TX: .35 dB MAX

RETURN LOSS RX: 19 dB MIN
TX: 19 dB MIN

REJECTION TX/RX: 85 dB MIN.
RX/TX: 50 dB MIN.

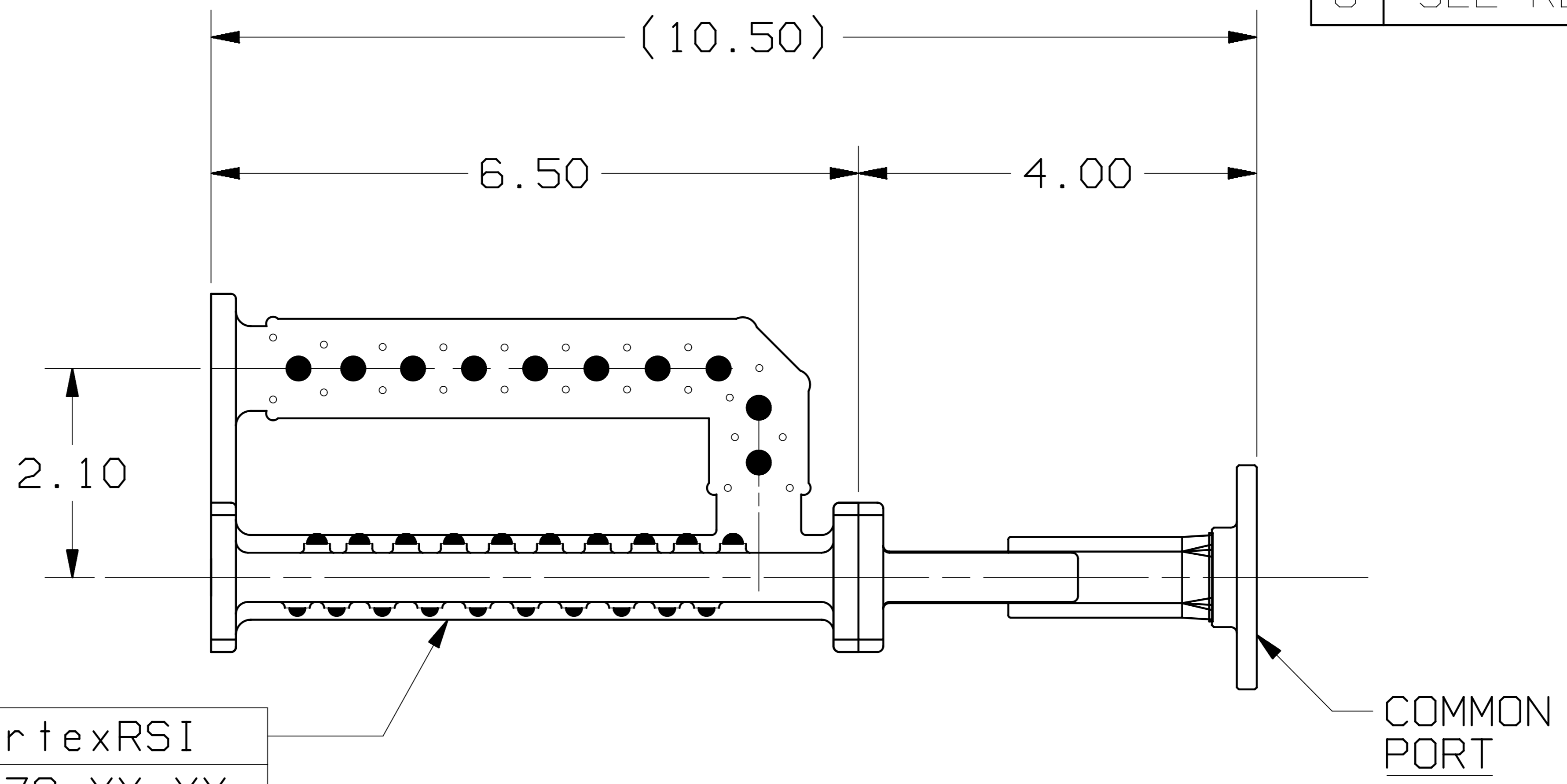
CROSSPOL : 35 dB MIN.

POWER HANDLING : 1 KW CW
(500 W PER TX PORT)

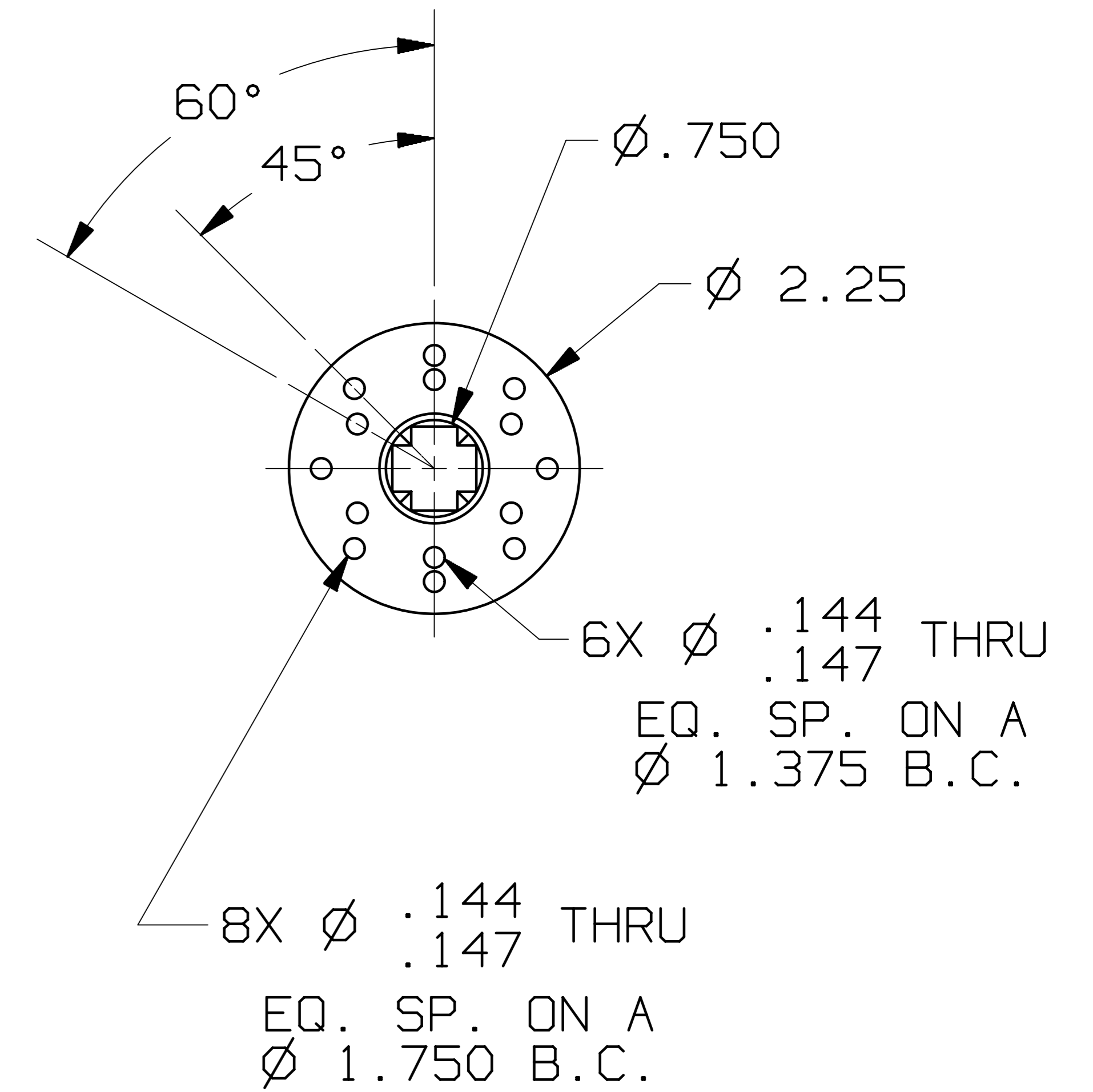
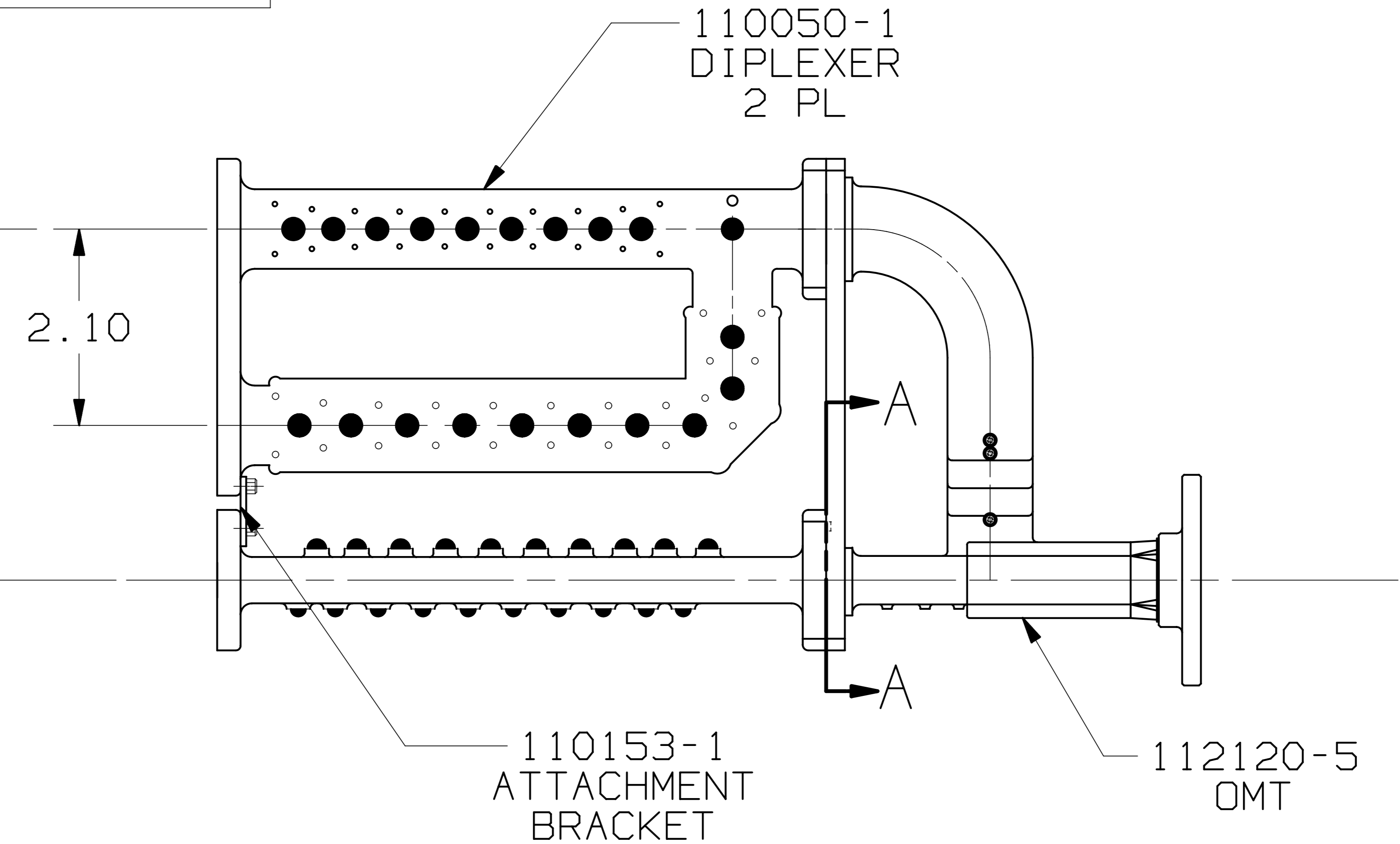
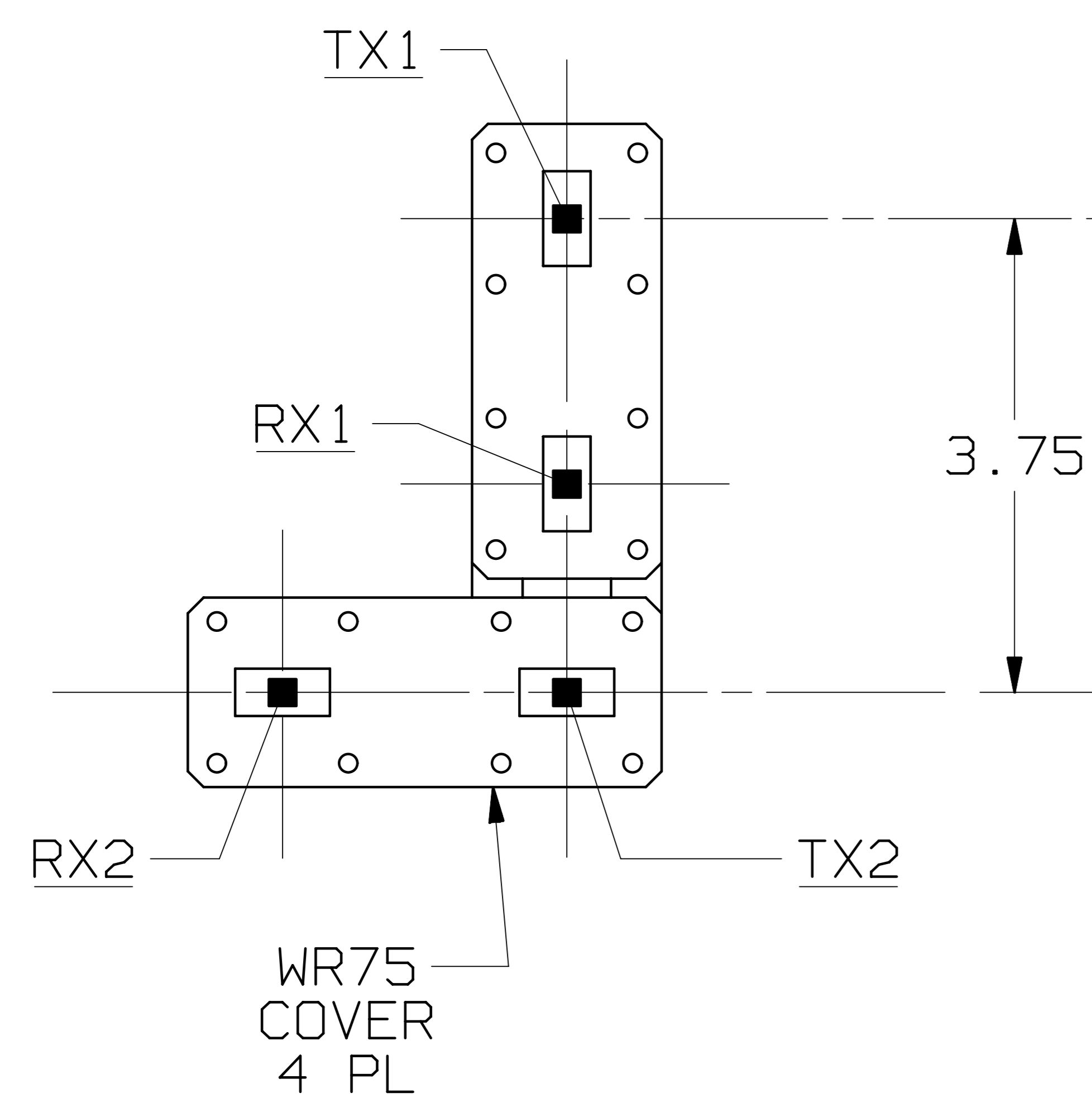
PRESSURIZATION : SEALED TO 5 PSIG.

FINISH:
FLANGE FACES: CHROMATE CONVERSION COATED
EXTERNAL: WHITE PAINT COLOR
No. 17875 PER FED-STD-595

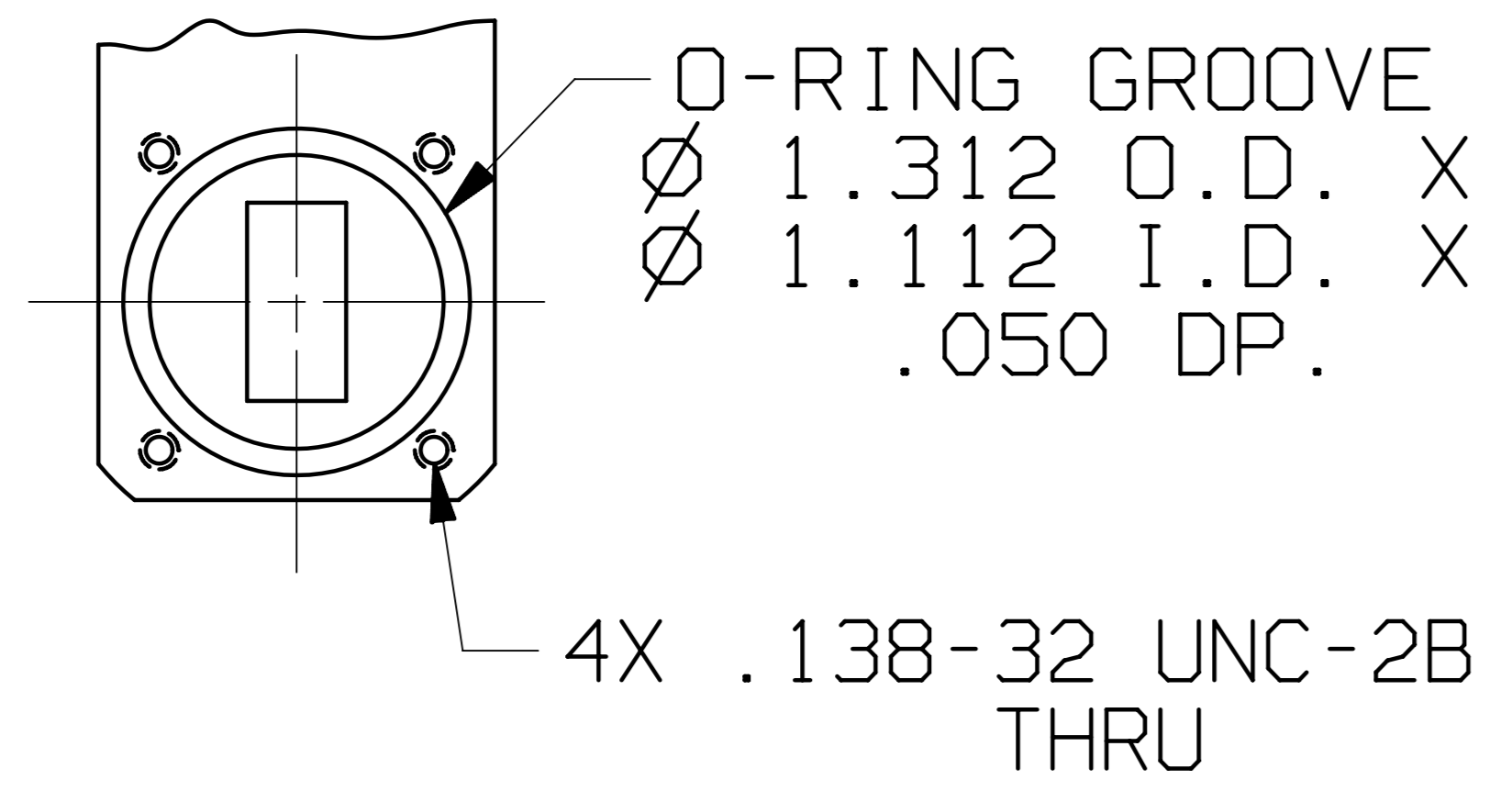
REVISIONS			
REV	DESCRIPTION	DATE	APPROVED
G	SEE REVISION SHEET	03-03-03	



VertexRSI
50478 XX-XX
P/N 110045-1



- 1 CONFIGURATION



VIEW A-A
(TYPICAL 2 PL)

UNLESS OTHERWISE SPECIFIED		SIGNATURES	DATE
DIMENSIONS ARE IN INCHES		DRAWN: L. TOVALIN	01-08-93
TOLERANCES-		CHECKED: H. SPIELEDER	01-25-93
SURFACE	.XX ±.03 .XXX ±.002 .XXXX ±.	ENGRG:	
63 ✓	ANGLES±	ENGRG:	
MATERIAL		MFG:	
FINISH			

VertexRSI™
A TriPoint Global Company
Torrance, CA Facility, TORRANCE@TRIPPOINTGLOBAL.COM
3111 Fujita St., Torrance, CA 90505, (310)539-6704

KU BAND FOUR PORT

SIZE	FSCM NO.	DRAWING NO.
C	50478	110045
SCALE: NONE		SHEET 1 OF 1