

**SPECIFICATIONS**

FREQUENCY BAND : 3.40 - 4.80 GHz

INSERTION LOSS : 0.10 dB MAX

RETURN LOSS : 22.0 dB  $\triangle$

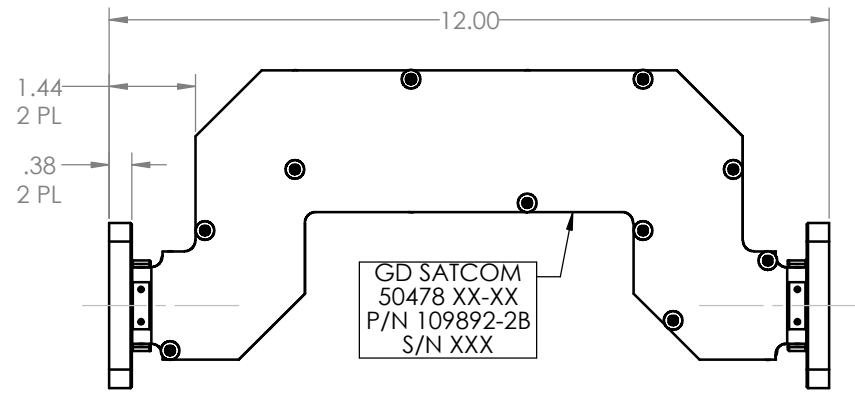
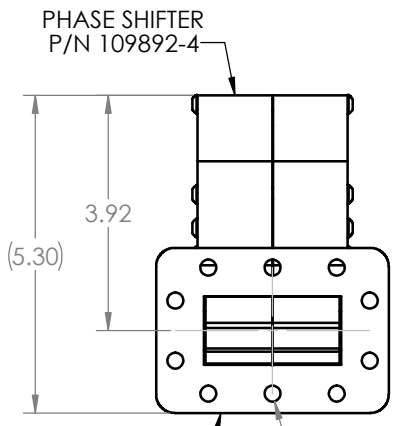
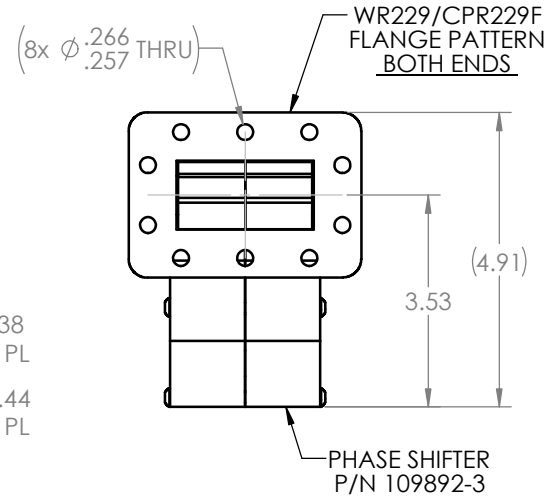
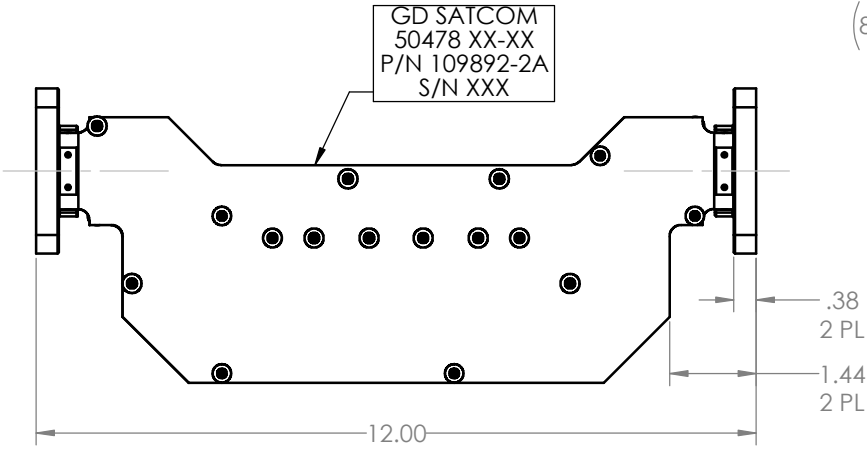
PHASE TRACKING :  $90^\circ \pm 3.3^\circ$   
 ( $90^\circ \pm 2.5^\circ$  DESIGN GOAL)

PRESSURIZATION : SEALED TO 2.0 PSIG

FINISH

FLANGE FACES : COPPER ALLOY  
 EXTERIOR : WHITE PAINT, COLOR N<sub>o</sub> 17875 PER FED-STD-595

| REVISIONS |                 |            |          |
|-----------|-----------------|------------|----------|
| REV.      | DESCRIPTION     | DATE       | APPROVED |
| -         | INITIAL RELEASE |            |          |
| A         | SEE EC 12701    | 10/18/2013 |          |



(8x  $\phi$  .266 THRU)  
 .257

UNLESS OTHERWISE SPECIFIED  
 INTERPRET DIMENSIONING & TOLERANCING PER ANSI Y14.5M-1992. DIMENSIONS ARE IN INCHES. DIMENSIONS SHOWN IN ( ) ARE FOR REFERENCE ONLY. TOLERANCES ARE:  
 SURFACE- TOLERANCES-  
 32 .XX  $\pm$ .01  
 .XXX  $\pm$ .004  
 .XXXX  $\pm$ .001  
 ANGLES  $\pm$ 0°30'  
 MATERIAL:

| APPROVALS           | DATE     |
|---------------------|----------|
| DRAWN: H. Lim       | 06-19-13 |
| CHECKED: J. Wrigley | 06-20-13 |
| RF-ENG:             |          |
| MFG-ENG:            |          |
| ENG-MGR:            |          |

**EAR CONTROLLED:**  
 Export or re-export subject to 15 CFR 700 - 799

GENERAL DYNAMICS PROPRIETARY

**GENERAL DYNAMICS SATCOM Technologies**  
 3111 Fujita Street, Torrance CA 90505, (310) 539-6704

**C-BAND WR229 PHASE SHIFTER, MATCH PAIR**

|            |                           |                             |       |
|------------|---------------------------|-----------------------------|-------|
| SIZE C     | FSCM N <sub>o</sub> 50478 | DWG N <sub>o</sub> 109892-2 | REV A |
| SCALE: 5:8 |                           | SHEET 1                     |       |

NOTES: UNLESS OTHERWISE SPECIFIED.