

SPECIFICATIONS

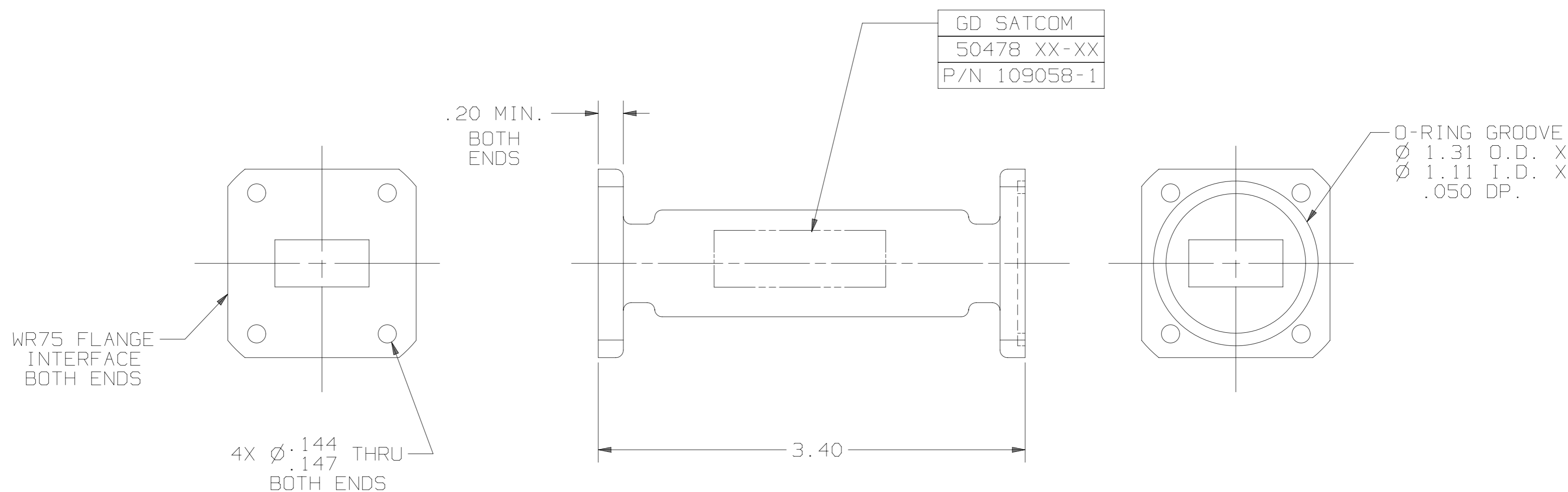
FREQUENCY BAND : 10.70 - 12.75 GHz  
 INSERTION LOSS : 0.20 dB TYPICAL  
 : 0.30 dB MAX @ 12.75 GHz  
 VSWR : 1.20:1 MAX  
 ISOLATION : 55 dB MIN AT 13.75-14.50 GHz  
 PRESSURIZATION: SEALED TO 5 PSIG

FINISH:

FLANGE FACES: CHEMFILMED PER MIL-DTL-5541F  
 TYPE II CLASS 1A  
 EXTERIOR: \* WHITE PAINT, COLOR # 17875 PER  
 FED-STD-595.

REVISIONS

REV	DESCRIPTION	DATE	APPROVED
I	SEE REVISION SHT	07-03-05	



UNLESS OTHERWISE SPECIFIED		SIGNATURES		DATE		GENERAL DYNAMICS PROPRIETARY							
DIMENSIONS ARE IN INCHES		DRAWN: L TOVALIN		05-14-90		GENERAL DYNAMICS SATCOM Technologies 3111 Fujita St., Torrance, CA 90505, (310) 539-6704							
TOLERANCES-		CHECKED: H. SPIELEDER		11-02-90									
SURFACE .XX ±.02		ENGRG:				KU-BAND FILTER 10.70-12.75 GHz							
.XXX ±.002		MFG:											
63 ✓ .XXXX ±.0010		EAR CONTROLLED:				SIZE		FSCM NO.		DWG NO.		REV	
ANGLES±		Export or re-export subject to 15 CFR 700-799.				C		50478		109058-1		I	
MATERIAL		AL ALY A356				SCALE: 1:1				SHEET		1	
FINISH													